

PARTS CATALOGUE



MBNM3



PGD

CZD250-A (BJR1) MALAYSIA

CZD250-A
PARTS CATALOGUE
©2022 by Yamaha Motor Co., Ltd.
1st edition, March 2022
All rights reserved.
Any reprinting or unauthorized use
without the written permission of
Yamaha Motor Co., Ltd.
is expressly prohibited.
Printed in Japan.

FOREWORD

This Parts Catalogue is related to the parts for the model(s) on the cover page. When you are ordering replacement parts, please refer to this Parts Catalogue and quote both part numbers and part names correctly.

1. Modifications or additions which have been made after the issue of the Parts Catalogue will be announced in the Parts News.
It is advisable that you make the necessary corrections to the Parts Catalogue according to the Parts News.

2. Abbreviations

The following abbreviations are used in this Parts Catalogue.

“UR” Use specified parts number.

“UN” Use as many as needed.

“AP” Alternate Parts

“LM” Locally Made (Parts need to be ordered locally)

“F#” Frame No. (Applicable machine No.)

“O/S” Over Size

3. The number of components for assembly

- Parts, which are to be supplied in an assembly, are listed with a dot (.) in front of the part name as shown below.
- The numeral appearing to the right of each component part indicates the quantity of parts for each assembly unit.

PART NO.	DESCRIPTION	Q'TY	REMARKS
2F5-83310-60	FRONT FLASHER LIGHT ASSY	2	
115-83311-60	.BULB (6V-18W)	1	

4. Applicable colours of graphics are represented in the “REMARKS” as shown below.

PART NO.	DESCRIPTION	Q'TY	REMARKS
2N4-24110-00-X5	FUEL TANK COMP.	2	MXR
3J1-24240-10	.GRAPHIC, FUEL TANK	1	FOR MXR

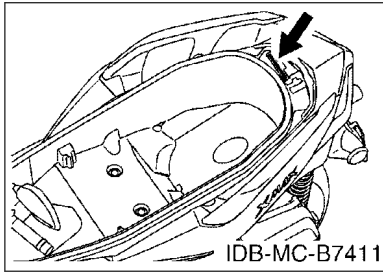
5. Note that the illustrations for reference in finding parts numbers are not to be used for assembling. When assembling, please use the applicable service manual.

6. The asterisk (*) before a reference number indicates modified items after the first edition.

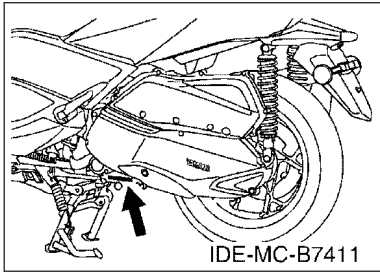
FOREWORD

7. Applicable Serial No.

Frame Serial No.



Engine Serial No.



8. Applicable Colour Code (The (*) mark shows Model colour.)

Abbreviation	Colour Name	Colour Code
DPBM15	DEEP PURPLISH BLUE METALLIC 15	1329
MBL2	MAT BLACK 2	0582
MBNM3(*)	MAT BLUISH GRAY METALLIC 3	1758
PGD(*)	PASTEL DARK GRAY	003E
SM12	BLACK METALLIC 12	1723
YB	YAMAHA BLACK	0033

9. Applicable Starting Serial No.

Frame Serial No.

Serial No.	Name Of Q'ty Column	Model Code

Engine Serial No.

Serial No.	Name Of Q'ty Column	Model Code

CONTENTS

ENGINE

CYLINDER.....	1
CRANKSHAFT & PISTON.....	2
VALVE.....	4
CAMSHAFT & CHAIN.....	6
WATER PUMP.....	7
RADIATOR & HOSE.....	8
OIL PUMP.....	10
INTAKE.....	11
EXHAUST.....	13
CRANKCASE.....	14
CRANKCASE COVER 1.....	16
STARTER.....	17
CLUTCH.....	18
TRANSMISSION.....	20

CHASSIS

FRAME.....	21
FENDER.....	22
SIDE COVER.....	24
REAR ARM & SUSPENSION.....	26
STEERING.....	27
FRONT FORK.....	28
FUEL TANK.....	30
SEAT.....	31
FRONT WHEEL.....	33
FRONT BRAKE CALIPER.....	34
REAR WHEEL.....	35
REAR BRAKE CALIPER.....	36
STEERING HANDLE & CABLE.....	37
FRONT MASTER CYLINDER.....	38
STAND & FOOTREST.....	40
STAND & FOOTREST 2.....	42
LEG SHIELD.....	44
WINDSHIELD.....	47
GENERATOR.....	50
STARTING MOTOR.....	51
FLASHER LIGHT.....	52
METER.....	53
HEADLIGHT.....	54

TAILLIGHT.....	55
HANDLE SWITCH & LEVER.....	56
ELECTRICAL 1.....	57
ELECTRICAL 2.....	59
ELECTRICAL 3.....	60

INDEX

NUMERICAL INDEX.....	61
----------------------	----

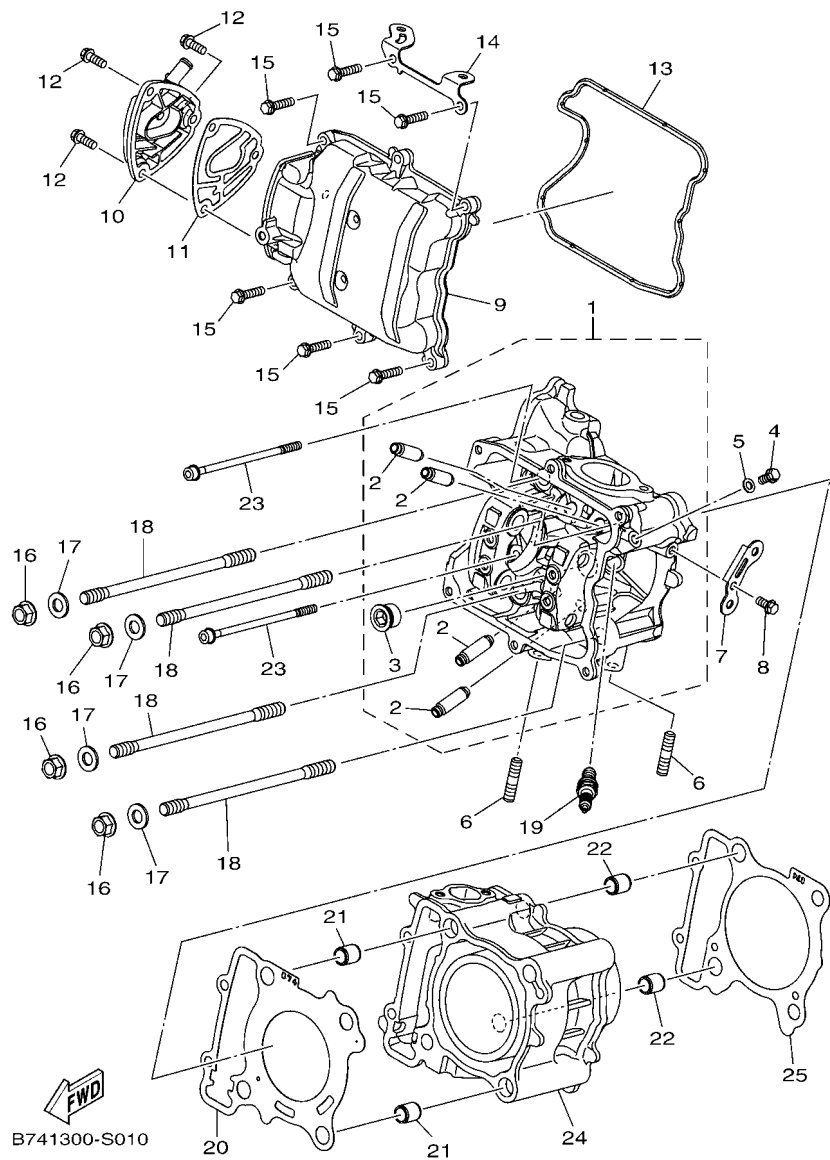
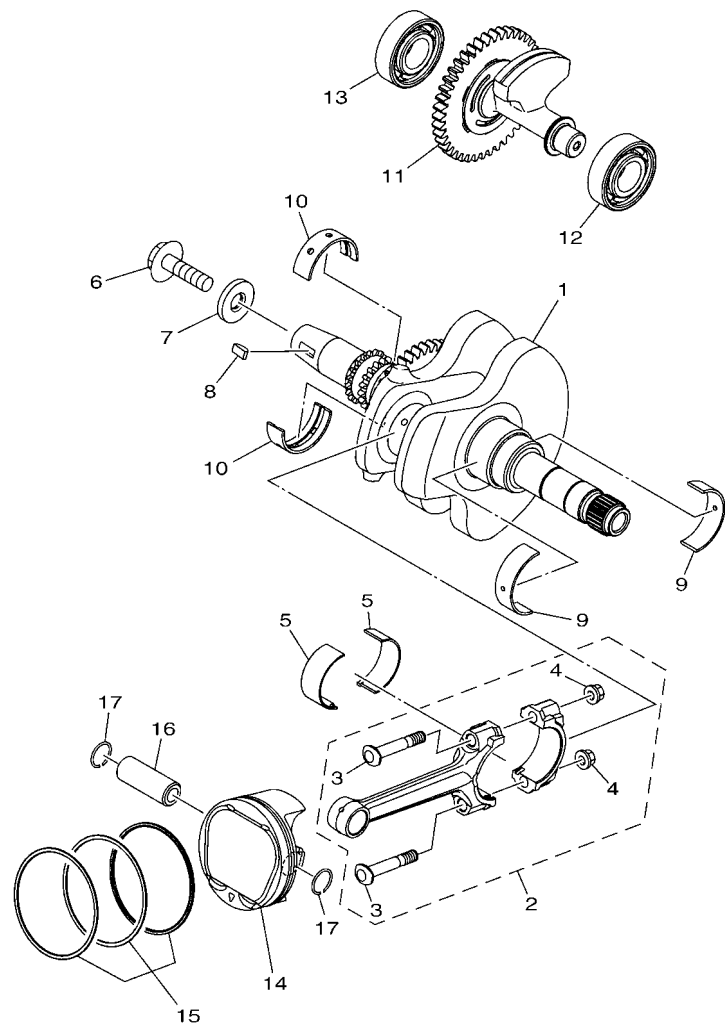


FIG. 1 CYLINDER

REF. NO.	PART NO.	DESCRIPTION	BJRT				REMARKS
1	BG6-E1102-00	CYLINDER HEAD ASSY	1				
2	B74-E1133-10	.GUIDE, VALVE 1	4				
3	90340-18002	.PLUG, STRAIGHT SCREW	1				
4	95022-06012	BOLT, FLANGE	1				
5	90430-06014	GASKET	1				
6	95612-08620	BOLT, STUD	2				
7	B74-E1998-00	BRACKET 1	1				
8	95022-06012	BOLT, FLANGE	1				
9	B74-E1191-00	COVER, CYLINDER HEAD 1	1				
10	B74-E1185-00	COVER, CYLINDER HEAD SIDE 3	1				
11	B74-E1169-00	GASKET, BREATHER COVER	1				
12	95022-06016	BOLT, FLANGE	3				
13	B74-E1193-00	GASKET, HEAD COVER 1	1				
14	B74-E1999-00	BRACKET 2	1				
15	95022-06025	BOLT, FLANGE	6				
16	90179-10818	NUT	4				
17	90201-10849	WASHER, PLATE	4				
18	B74-11391-00	BOLT, STUD 1	4				
19	94700-00436	PLUG, SPARK (NGK LMAR8A-9)	1				
20	B74-E1181-00	GASKET, CYLINDER HEAD 1	1				
21	99530-14016	PIN, DOWEL	2				
22	99530-14016	PIN, DOWEL	2				
23	90110-06868	BOLT, HEXAGON SOCKET HEAD	2				
24	BG6-E1311-01	CYLINDER 1	1				
25	B74-E1351-00	GASKET, CYLINDER	1				

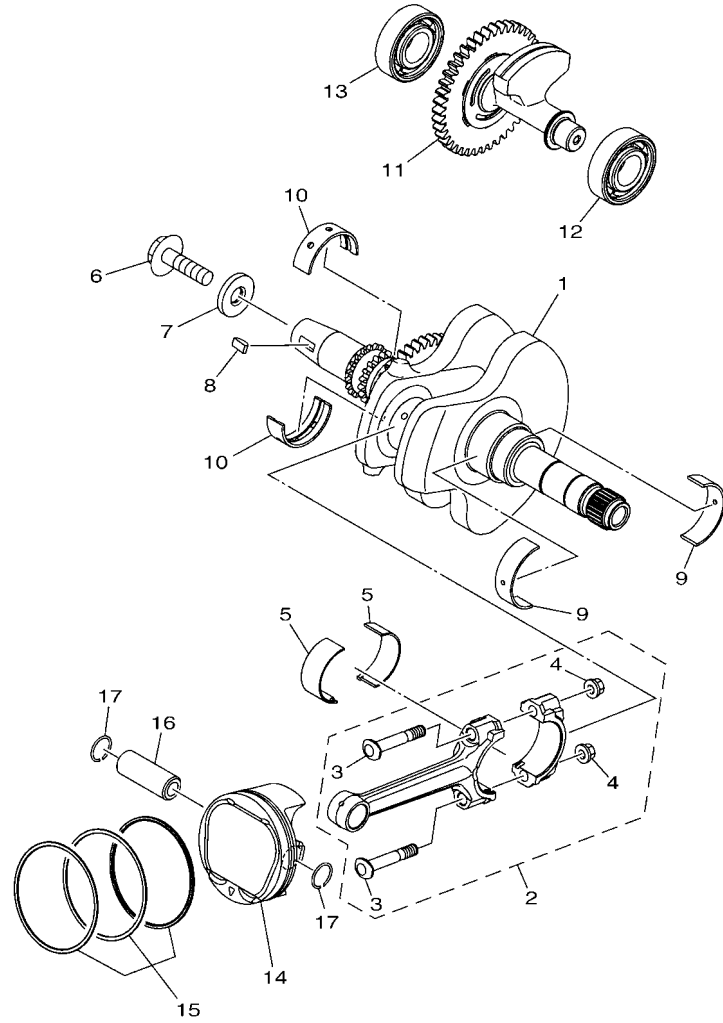
FIG. 2 CRANKSHAFT & PISTON




BG61460-S020

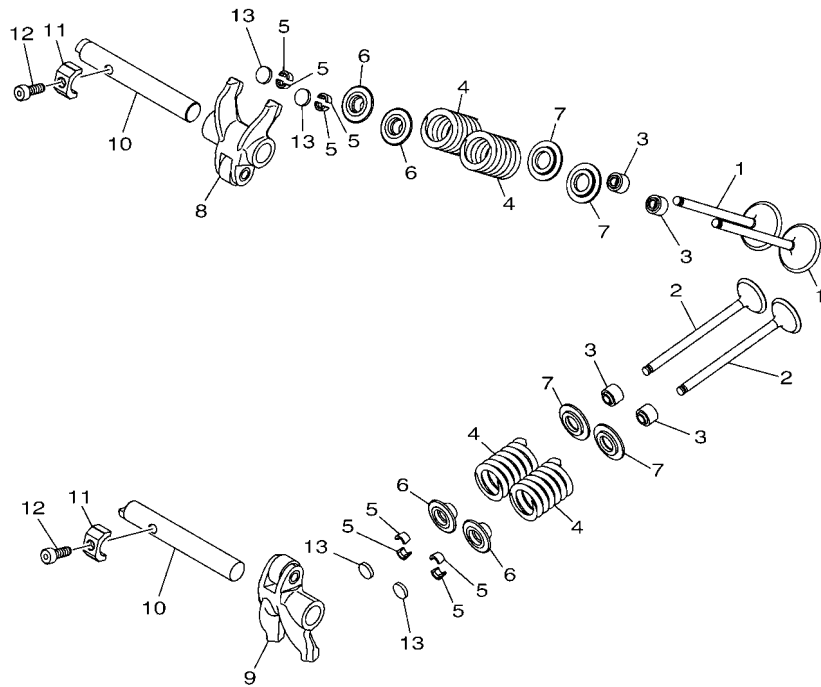
REF. NO.	PART NO.	DESCRIPTION	BJRT				REMARKS
1	BG6-E1400-10	CRANKSHAFT ASSY	1				
2	BG6-11650-00	CONNECTING ROD ASSY	1				
3	2C0-11654-00	.BOLT, CONNECTING ROD	2				
4	90179-07001	.NUT	2				
5	B74-11656-00	PLANE BEARING, CONNECTING ROD	2				UR BLUE
	B74-11656-10	PLANE BEARING, CONNECTING ROD	2				UR BLACK
	B74-11656-20	PLANE BEARING, CONNECTING ROD	2				UR BROWN
	B74-11656-30	PLANE BEARING, CONNECTING ROD	2				UR GREEN
6	90105-10883	BOLT, FLANGE	1				
7	90201-10848	WASHER, PLATE	1				
8	90280-05013	KEY, WOODRUFF	1				
9	B74-11416-A0	PLANE BEARING, CRANKSHAFT 1	2				UR WHITE
	B74-11416-00	PLANE BEARING, CRANKSHAFT 1	2				UR BLUE
	B74-11416-10	PLANE BEARING, CRANKSHAFT 1	2				UR BLACK
	B74-11416-20	PLANE BEARING, CRANKSHAFT 1	2				UR BROWN
	B74-11416-30	PLANE BEARING, CRANKSHAFT 1	2				UR GREEN
	B74-11416-40	PLANE BEARING, CRANKSHAFT 1	2				UR YELLOW
	B74-11416-50	PLANE BEARING, CRANKSHAFT 1	2				UR PINK
10	B74-11417-A0	PLANE BEARING, CRANKSHAFT 2	2				UR WHITE
	B74-11417-00	PLANE BEARING, CRANKSHAFT 2	2				UR BLUE
	B74-11417-10	PLANE BEARING, CRANKSHAFT 2	2				UR BLACK
	B74-11417-20	PLANE BEARING, CRANKSHAFT 2	2				UR BROWN
	B74-11417-30	PLANE BEARING, CRANKSHAFT 2	2				UR GREEN
	B74-11417-40	PLANE BEARING, CRANKSHAFT 2	2				UR YELLOW
	B74-11417-50	PLANE BEARING, CRANKSHAFT 2	2				UR PINK
11	BG6-E1500-00	BALANCER ASSY	1				
12	93306-303YT	BEARING	1				

FIG. 2 CRANKSHAFT & PISTON



BG61460-S020

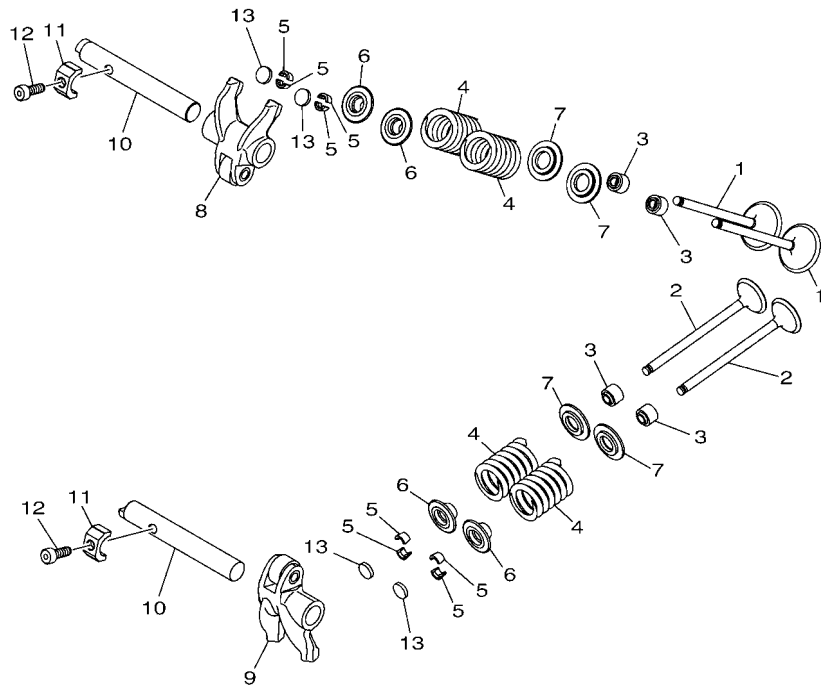
REF. NO.	PART NO.	DESCRIPTION	BJRT	REMARKS
13	93306-204XV	BEARING	1	
14	BG6-E1631-00	PISTON (STD)	1	
15	B74-E1603-10	PISTON RING SET (STD)	1	
16	B74-E1633-00	PIN, PISTON	1	
17	93450-17129	CIRCLIP	2	




B741300-S030

FIG. 3 VALVE

REF. NO.	PART NO.	DESCRIPTION	BJRT				REMARKS
1	B74-E2111-00	VALVE, INTAKE	2				
2	B74-E2121-00	VALVE, EXHAUST	2				
3	54P-E2119-00	SEAL, VALVE STEM	4				
4	B74-E2113-00	SPRING, VALVE INNER	4				
5	5TL-E2118-00	LOCK, VALVE SPRING RETAINER	8				
6	B74-E2117-00	RETAINER, VALVE SPRING	4				
7	2PH-E2126-00	SEAT, VALVE SPRING 2	4				
8	B74-E2151-00	ARM, VALVE ROCKER	1				
9	B74-E2161-00	ARM, VALVE ROCKER 2	1				
10	B74-E2146-00	SHAFT, ROCKER	2				
11	B74-E2662-00	COLLAR 1	2				
12	91312-05014	BOLT, HEXAGON SOCKET HEAD	2				
13	B74-12168-00	PAD, ADJUSTING (1.50)	4				UR
	B74-12168-20	PAD, ADJUSTING (1.55)	4				UR
	B74-12168-40	PAD, ADJUSTING (1.60)	4				UR
	B74-12168-60	PAD, ADJUSTING (1.65)	4				UR
	B74-12168-80	PAD, ADJUSTING (1.70)	4				UR
	B74-12168-A0	PAD, ADJUSTING (1.75)	4				UR
	B74-12168-F0	PAD, ADJUSTING (1.80)	4				UR
	B74-12168-H0	PAD, ADJUSTING (1.85)	4				UR
	B74-12168-K0	PAD, ADJUSTING (1.90)	4				UR
	B74-12168-M0	PAD, ADJUSTING (1.95)	4				UR
	B74-12168-R0	PAD, ADJUSTING (2.00)	4				UR
	B74-12168-U0	PAD, ADJUSTING (2.05)	4				UR
	B74-12168-W0	PAD, ADJUSTING (2.10)	4				UR
	B74-12168-Y0	PAD, ADJUSTING (2.15)	4				UR
	B74-12169-10	PAD, ADJUSTING (2.20)	4				UR

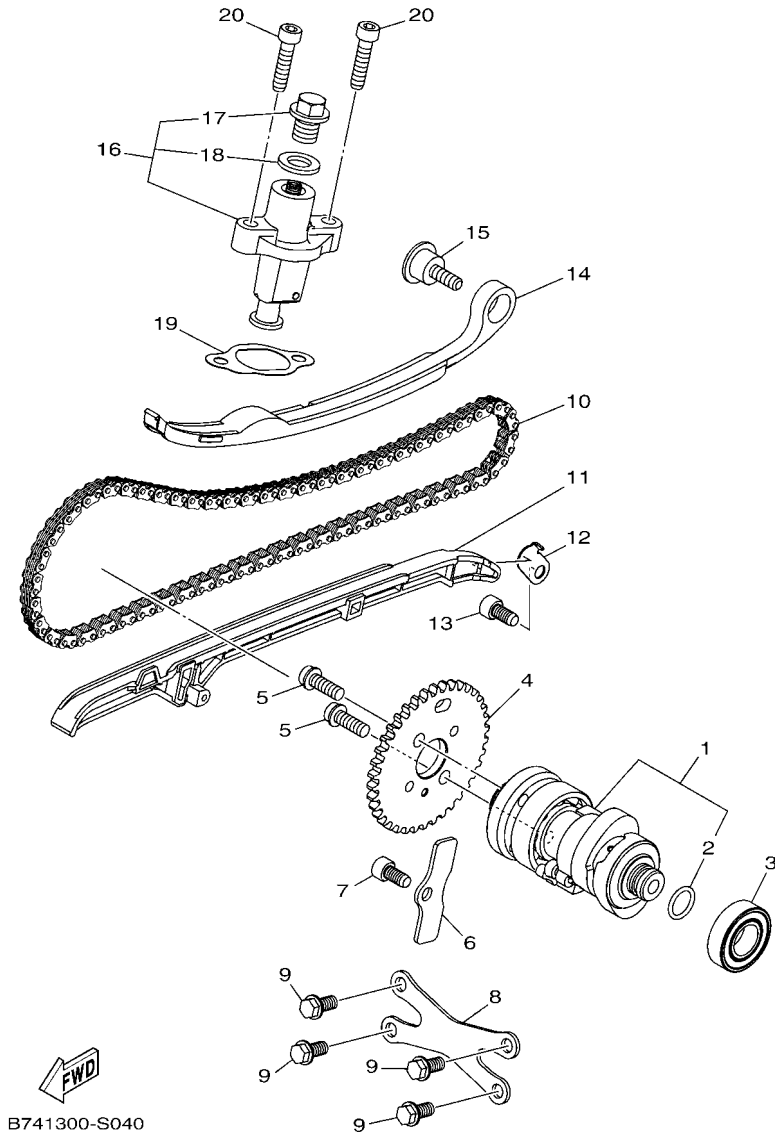


B741300-S030

FIG. 3 VALVE

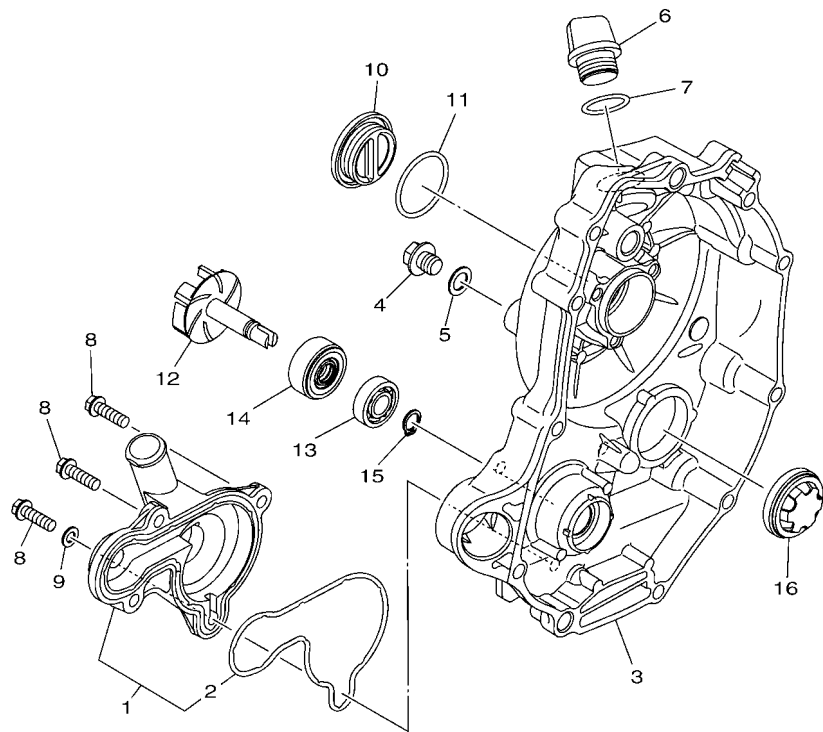
REF. NO.	PART NO.	DESCRIPTION	BJRT			REMARKS
13	B74-12169-30	PAD, ADJUSTING (2.25)	4			UR
	B74-12169-50	PAD, ADJUSTING (2.30)	4			UR
	B74-12169-70	PAD, ADJUSTING (2.35)	4			UR
	B74-12169-90	PAD, ADJUSTING (2.40)	4			UR
	B74-12169-E0	PAD, ADJUSTING (2.45)	4			UR
	B74-12169-G0	PAD, ADJUSTING (2.50)	4			UR
	B74-12169-J0	PAD, ADJUSTING (2.55)	4			UR
	B74-12169-L0	PAD, ADJUSTING (2.60)	4			UR
	B74-12169-N0	PAD, ADJUSTING (2.65)	4			UR
	B74-12169-T0	PAD, ADJUSTING (2.70)	4			UR
	B74-12169-V0	PAD, ADJUSTING (2.75)	4			UR
	B74-12169-X0	PAD, ADJUSTING (2.80)	4			UR
	B74-1216A-00	PAD, ADJUSTING (2.85)	4			UR
	B74-1216A-20	PAD, ADJUSTING (2.90)	4			UR
	B74-1216A-40	PAD, ADJUSTING (2.95)	4			UR
	B74-1216A-60	PAD, ADJUSTING (3.00)	4			UR
	B74-1216A-80	PAD, ADJUSTING (3.05)	4			UR
	B74-1216A-A0	PAD, ADJUSTING (3.10)	4			UR
	B74-1216A-F0	PAD, ADJUSTING (3.15)	4			UR
	B74-1216A-H0	PAD, ADJUSTING (3.20)	4			UR
	B74-1216A-K0	PAD, ADJUSTING (3.25)	4			UR
	B74-1216A-M0	PAD, ADJUSTING (3.30)	4			UR
	B74-1216A-R0	PAD, ADJUSTING (3.35)	4			UR
	B74-1216A-U0	PAD, ADJUSTING (3.40)	4			UR
	B74-1216A-W0	PAD, ADJUSTING (3.45)	4			UR
	B74-1216A-Y0	PAD, ADJUSTING (3.50)	4			UR

FIG. 4 CAMSHAFT & CHAIN



REF. NO.	PART NO.	DESCRIPTION	BJRT				REMARKS
1	BG6-E2170-00	CAMSHAFT ASSY 1	1				
2	93210-12801	.O-RING	1				
3	93306-002XM	BEARING	1				
4	B74-E2176-00	SPROCKET, CAM CHAIN	1				
5	90110-06405	BOLT, HEXAGON SOCKET HEAD	2				
6	B74-E112F-00	PLATE 2	1				
7	90110-06187	BOLT, HEXAGON SOCKET HEAD	1				
8	B74-E111F-00	PLATE	1				
9	95022-06012	BOLT, FLANGE	4				
10	94568-H8110	CHAIN	1				
11	B74-E2231-00	GUIDE, STOPPER 1	1				
12	B74-E2233-00	PLATE, GUIDE STOPPER 1	1				
13	90110-06182	BOLT, HEXAGON SOCKET HEAD	1				
14	B74-E2241-00	GUIDE, STOPPER 2	1				
15	1DB-E2228-00	BOLT	1				
16	31G-12210-01	TENSIONER ASSY, CAM CHAIN	1				
17	31G-12222-00	.PLUG	1				
18	31G-12214-00	.GASKET	1				
19	B74-E2213-00	GASKET, TENSIONER CASE	1				
20	91312-06025	BOLT, HEXAGON SOCKET HEAD	2				

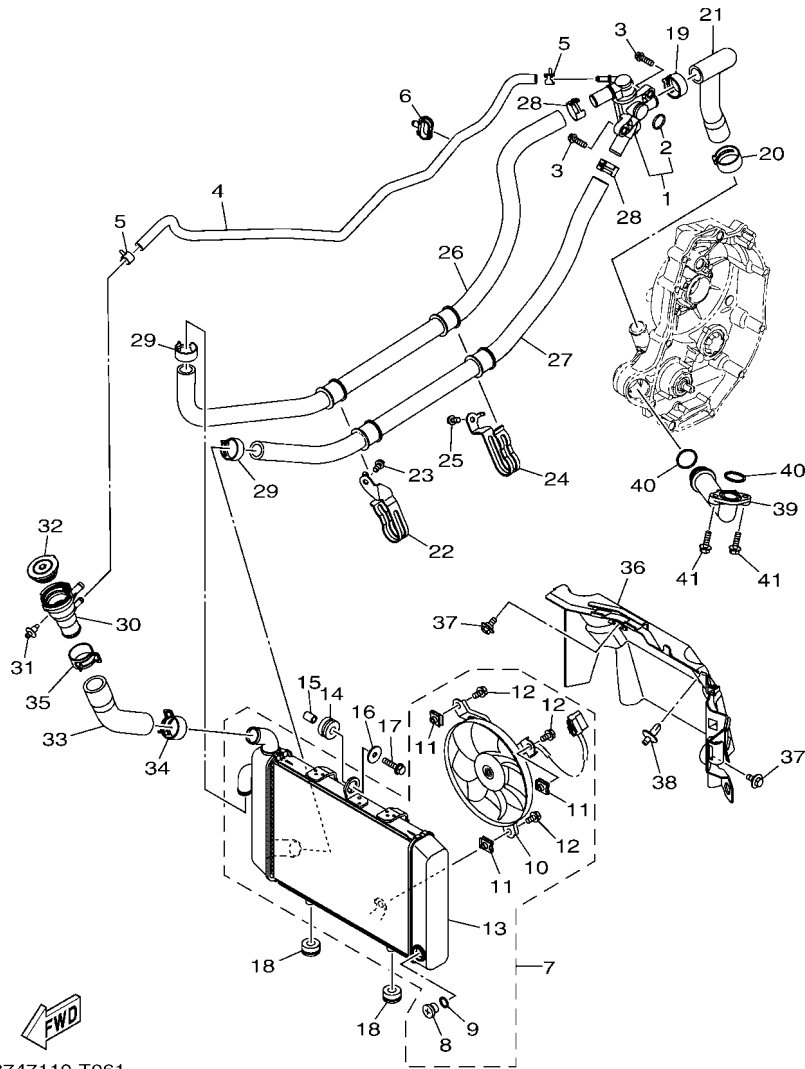
FIG. 5 WATER PUMP



REF. NO.	PART NO.	DESCRIPTION	BJRT				REMARKS
1	B74-E2422-00	COVER, HOUSING	1				
2	B74-E2439-00	.O-RING	1				
3	B74-E5417-00	COVER, CAP	1				
4	B74-E2157-01	BOLT	1				
5	90430-10148	GASKET	1				
6	5BP-E5363-10	PLUG, OIL	1				
7	93210-198J0	O-RING	1				
8	95027-06020	BOLT, FLANGE	3				
9	90430-06014	GASKET	1				
10	90340-32805	PLUG, STRAIGHT SCREW	1				
11	93210-32816	O-RING	1				
12	B74-E2450-00	IMPELLER SHAFT ASSY	1				
13	93306-000Y3	BEARING	1				
14	93103-10801	OIL SEAL	1				
15	99009-10400	CIRCLIP	1				
16	5PW-15361-00	GAUGE, LEVEL	1				


 B741300-S050

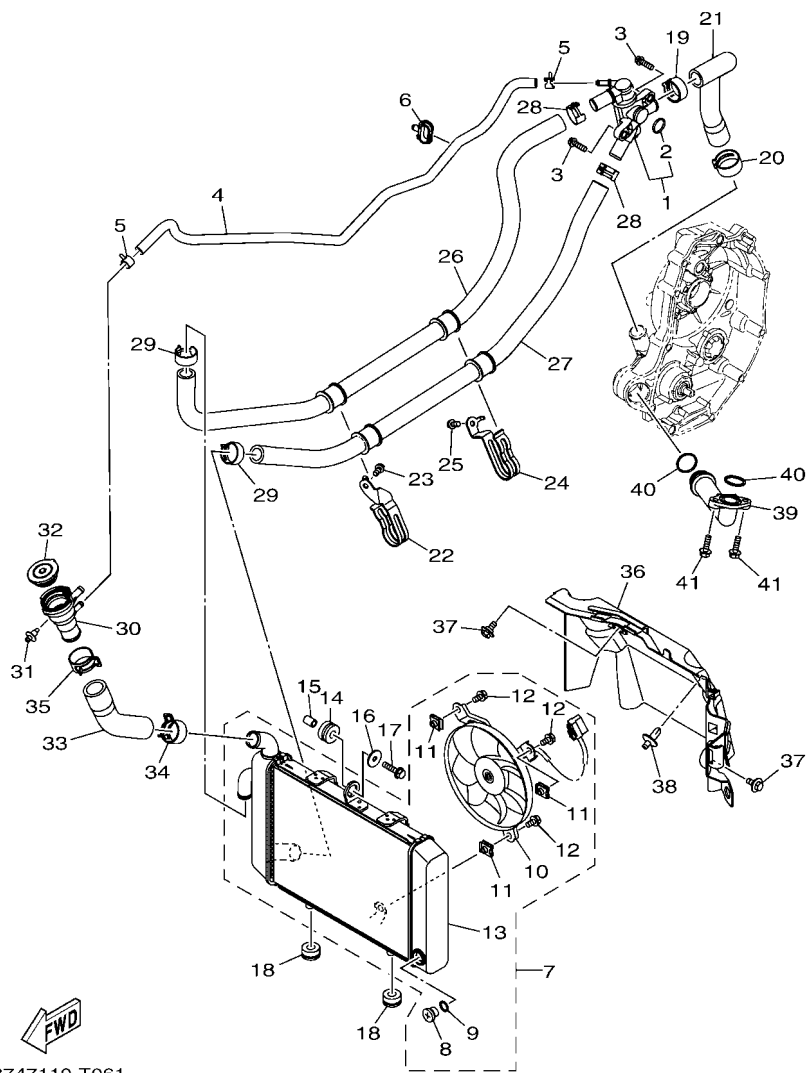
FIG. 6 RADIATOR & HOSE



B747110-T061

REF. NO.	PART NO.	DESCRIPTION	BJRT				REMARKS
1	B74-12410-00	THERMOSTAT ASSY	1				
2	52S-12439-00	.O-RING	1				
3	95E32-06020	BOLT, FLANGE DEEP RECESS	2				
4	B74-E2576-00	HOSE 1	1				
5	90467-10038	CLIP	2				
6	90464-10802	CLAMP	1				
7	B74-E240A-00	RADIATOR ASSY	1				
8	5ST-E2615-00	.COCK, DRAIN	1				
9	5ST-E2843-00	.O-RING	1				
10	B74-E2405-00	.BLOWER ASSY	1				
11	1WD-E2671-00	.NUT 1	3				
12	5GJ-12675-00	.BOLT, BLOWER HOLDING	3				
13	B74-E2461-00	.RADIATOR COMP	1				
14	90480-15483	GROMMET	1				
15	90387-064W3	COLLAR	1				
16	90201-06033	WASHER, PLATE	1				
17	95D32-06025	BOLT, FLANGE DEEP RECESS	1				
18	90480-14818	GROMMET	2				
19	90467-22002	CLIP	1				
20	90467-24800	CLIP	1				
21	B74-E2481-00	PIPE 1	1				
22	B74-F1823-00	CLAMP, HOSE	1				
23	95E32-06012	BOLT, FLANGE DEEP RECESS	1				
24	B74-F2591-00	CLAMP, HOSE	1				
25	95E32-06012	BOLT, FLANGE DEEP RECESS	1				
26	B74-E2482-00	PIPE 2	1				
27	B74-E2483-00	PIPE 3	1				

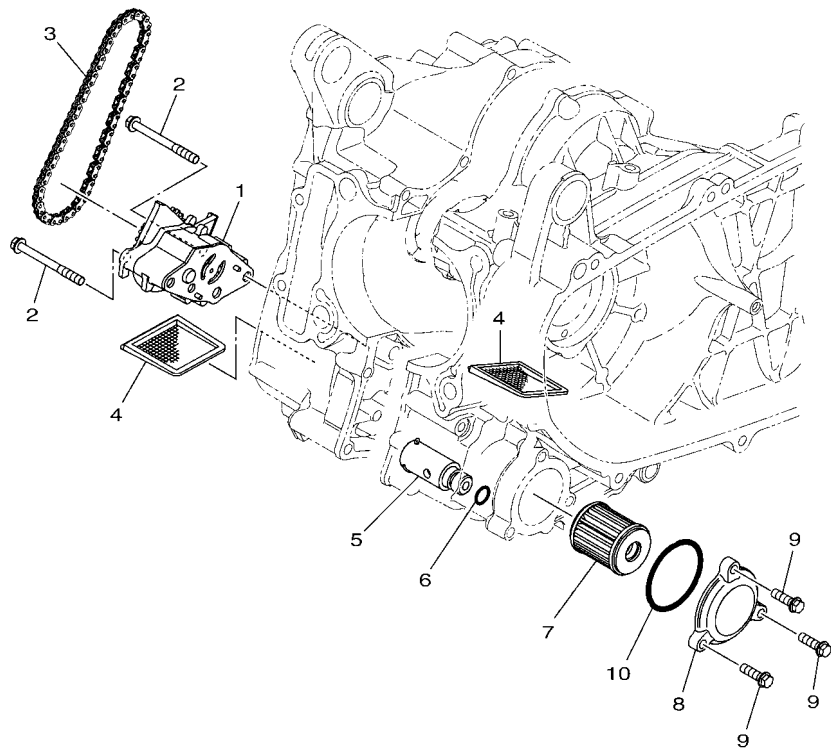
FIG. 6 RADIATOR & HOSE



B747110-T061

REF. NO.	PART NO.	DESCRIPTION	BJRT				REMARKS
28	90467-20805	CLIP	2				
29	90467-21801	CLIP	2				
30	B74-E2591-00	SUPT, FILLER NECK	1				
31	90269-07007	RIVET	1				
32	B65-E2462-00	CAP, RADIATOR	1				
33	B74-E2484-00	PIPE 4	1				
34	90467-250A1	CLIP	1				
35	90467-26131	CLIP	1				
36	B74-E2467-01	COVER, RADIATOR	1				
37	90109-068B5	BOLT	2				
38	90269-06816	RIVET	1				
39	B74-E2446-00	JOINT	1				
40	93210-22800	O-RING	2				
41	95D37-06020	BOLT, FLANGE DEEP RECESS	2				

FIG. 7 OIL PUMP

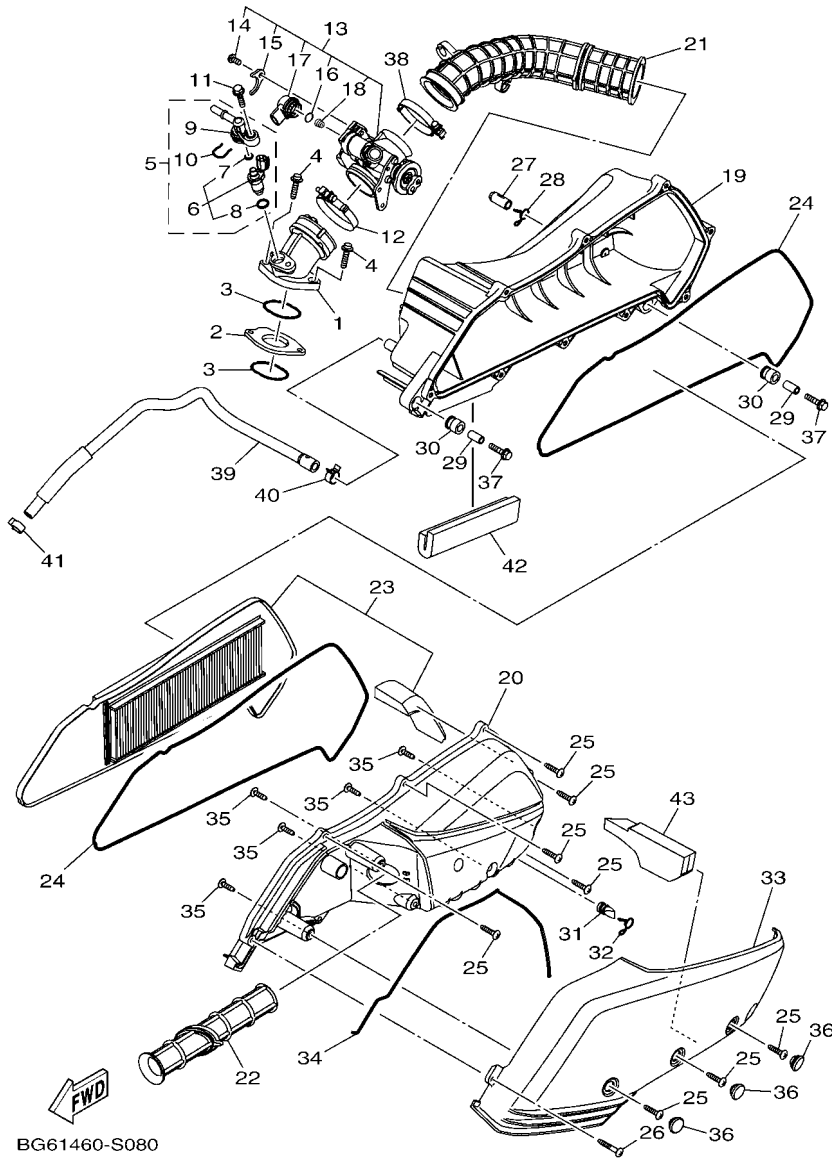


REF. NO.	PART NO.	DESCRIPTION	BJRT				REMARKS
1	B74-E3300-00	OIL PUMP ASSY	1				
2	95E32-06060	BOLT, FLANGE DEEP RECESS	2				
3	94568-F9058	CHAIN	1				
4	4ST-E3411-00	STRAINER, OIL	2				
5	5RU-13490-00	RELIEF VALVE ASSY	1				
6	93210-10096	O-RING	1				
7	1S7-E3440-00	ELEMENT ASSY, OIL CLEANER	1				
8	B74-E3447-00	COVER, OIL ELEMENT	1				
9	95E32-06020	BOLT, FLANGE DEEP RECESS	3				
10	93210-48530	O-RING	1				



B741300-S070

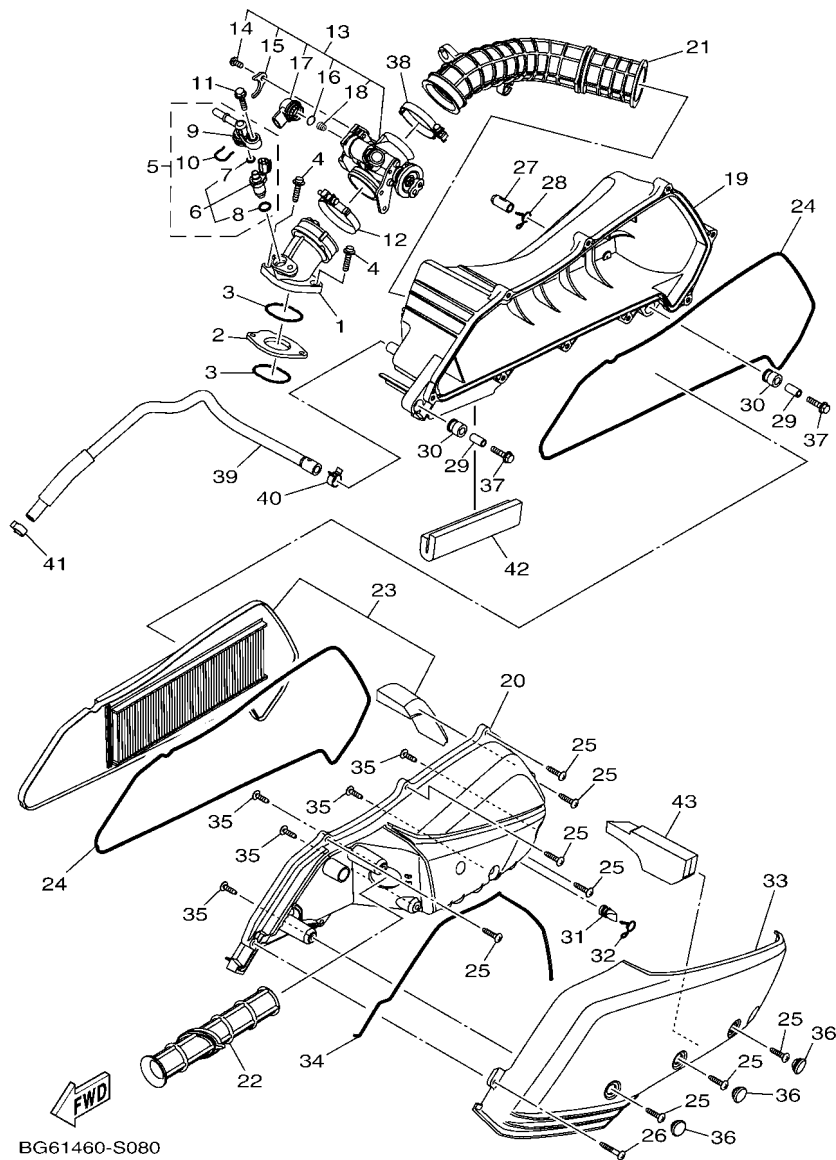
FIG. 8 INTAKE



BG61460-S080

REF. NO.	PART NO.	DESCRIPTION	BJRT				REMARKS
1	BG6-E3585-00	MANIFOLD	1				
2	BG6-E3595-00	JOINT	1				
3	93210-40659	O-RING	2				
4	90110-06172	BOLT, HEXAGON SOCKET HEAD	2				
5	BG6-E3770-00	INJECTOR ASSY	1				
6	BG6-E3761-00	.INJECTOR	1				
7	54P-E4147-00	.O-RING	1				
8	5CA-E4147-00	.O-RING	1				
9	52S-13938-00	.PIPE	1				
10	54P-E4137-00	.CLIP	1				
11	95812-06025	BOLT, FLANGE	1				
12	90450-56009	HOSE CLAMP ASSY	1				
13	BG6-E3750-03	THROTTLE BODY ASSY	1				
14	98502-06012	.SCREW, PAN HEAD	1				
15	54P-E4243-00	.PLATE	1				
16	54P-E416A-00	.O-RING	1				
17	B74-H5801-00	.STEPPING MOTOR	1				
18	B74-E4335-00	.SPRING, PLUNGER	1				
19	BG6-E4411-11	CASE, AIR CLEANER 1	1				
20	B74-E4412-00	CAP, CLEANER CASE 1	1				
21	BG6-E4469-00	FUNNEL, AIR	1				
22	B74-E4437-00	DUCT	1				
23	B74-WE445-00	AIR CLEANER ELEMENT ASSY	1				
24	B74-E4452-00	SEAL	2				
25	97707-50025	SCREW, TAPPING	8				
26	97707-50035	SCREW, TAPPING	1				
27	52B-E443E-00	PIPE, DRAIN	1				

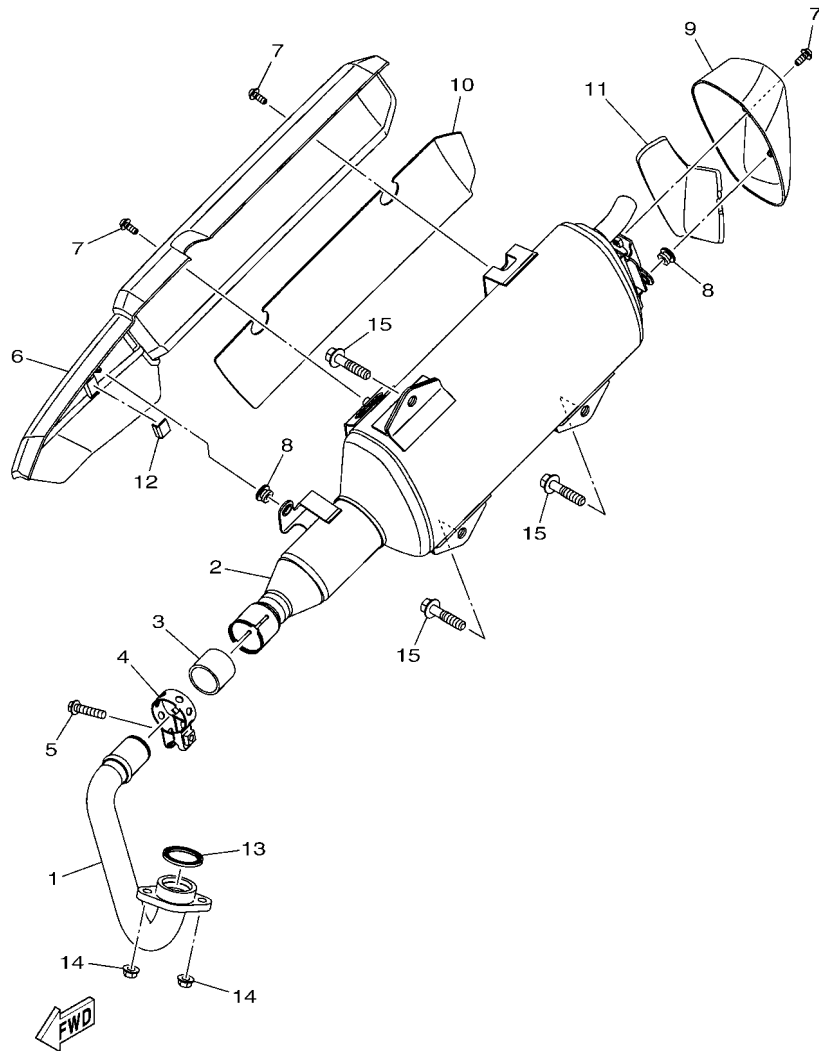
FIG. 8 INTAKE



BG61460-S080

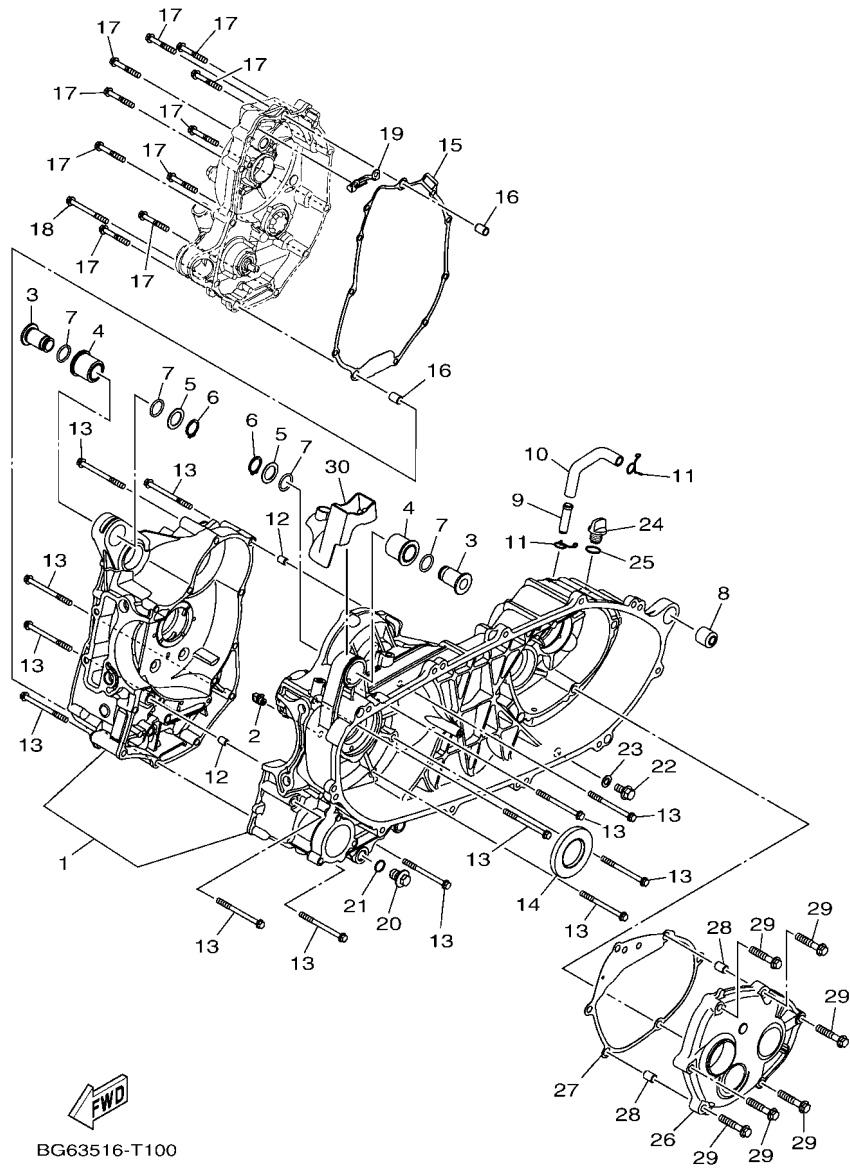
REF. NO.	PART NO.	DESCRIPTION	BJRT				REMARKS
28	90467-12809	CLIP	1				
29	B74-E4449-00	COLLAR	2				
30	B74-E4435-00	GROMMET	2				
31	5TP-E443G-10	PIPE, DRAIN 2	1				
32	90467-12809	CLIP	1				
33	B74-E4417-00	COVER 1	1				
34	B74-E4462-00	SEAL	1				
35	97702-50020	SCREW, TAPPING	5				
36	90338-14802	PLUG	3				
37	95812-06030	BOLT, FLANGE	2				
38	90450-52008	HOSE CLAMP ASSY	1				
39	B74-E1166-00	PIPE, BREATHER 1	1				
40	90467-13808	CLIP	1				
41	90467-14807	CLIP	1				
42	90520-10836	DAMPER, PLATE	1				
43	B74-E447F-00	ELEMENT 3	1				

FIG. 9 EXHAUST



B741300-S090

REF. NO.	PART NO.	DESCRIPTION	BJRT				REMARKS
1	B74-E4611-00	PIPE, EXHAUST 1	1				
2	BG6-E4711-12	MUFFLER 1	1				
3	54D-E4714-00	GASKET, MUFFLER	1				
4	1WD-E4715-00	BAND, MUFFLER	1				
5	95027-08035	BOLT, FLANGE	1				
6	B74-E4718-00	PROTECTOR, MUFFLER 1	1				
7	90111-06807	BOLT, HEX. SOCKET BUTTON	3				
8	90480-10332	GROMMET	2				
9	B74-E4799-00	CAP	1				
10	B74-E475P-00	SEAT	1				
11	B74-E476P-00	SEAT	1				
12	B74-E477P-00	SEAT	1				
13	1WD-E4613-00	GASKET, EXHAUST PIPE	1				
14	95702-08500	NUT, FLANGE	2				
15	95D37-10045	BOLT, FLANGE DEEP RECESS	3				

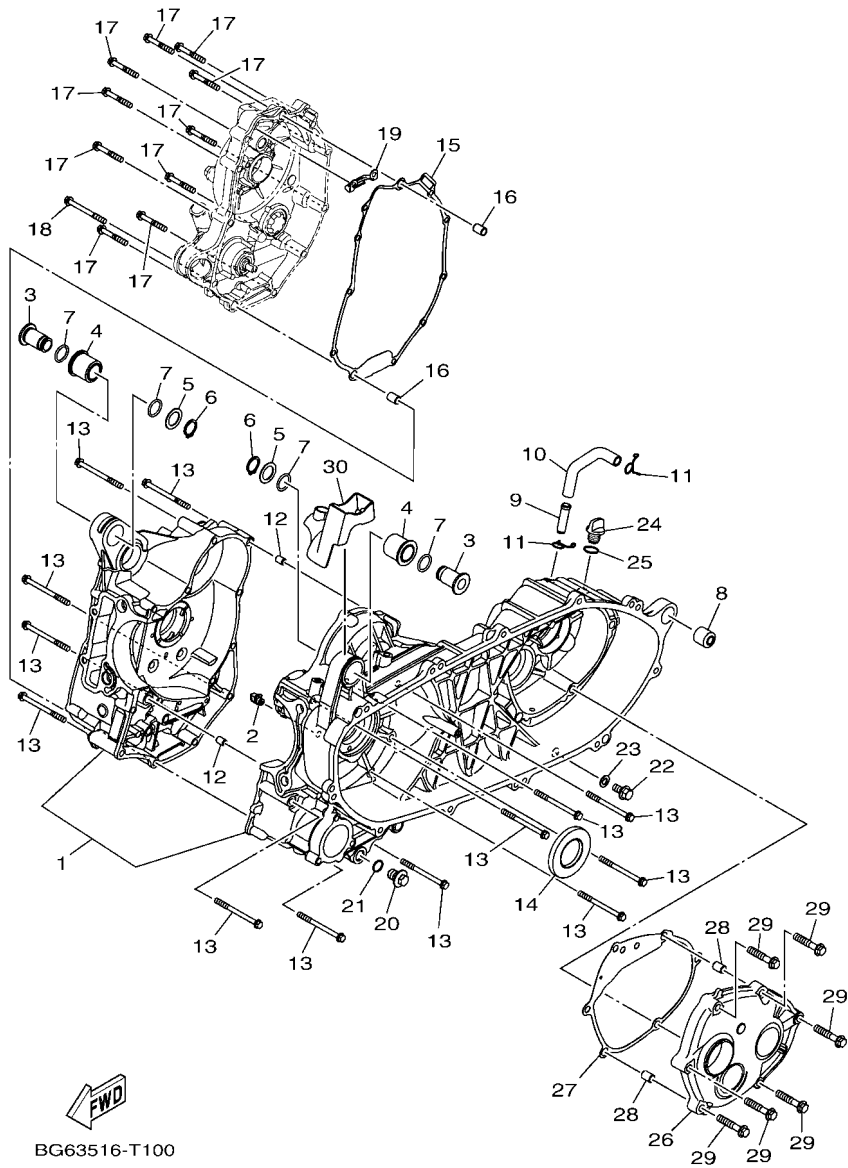


BG63516-T100

FIG. 10 CRANKCASE

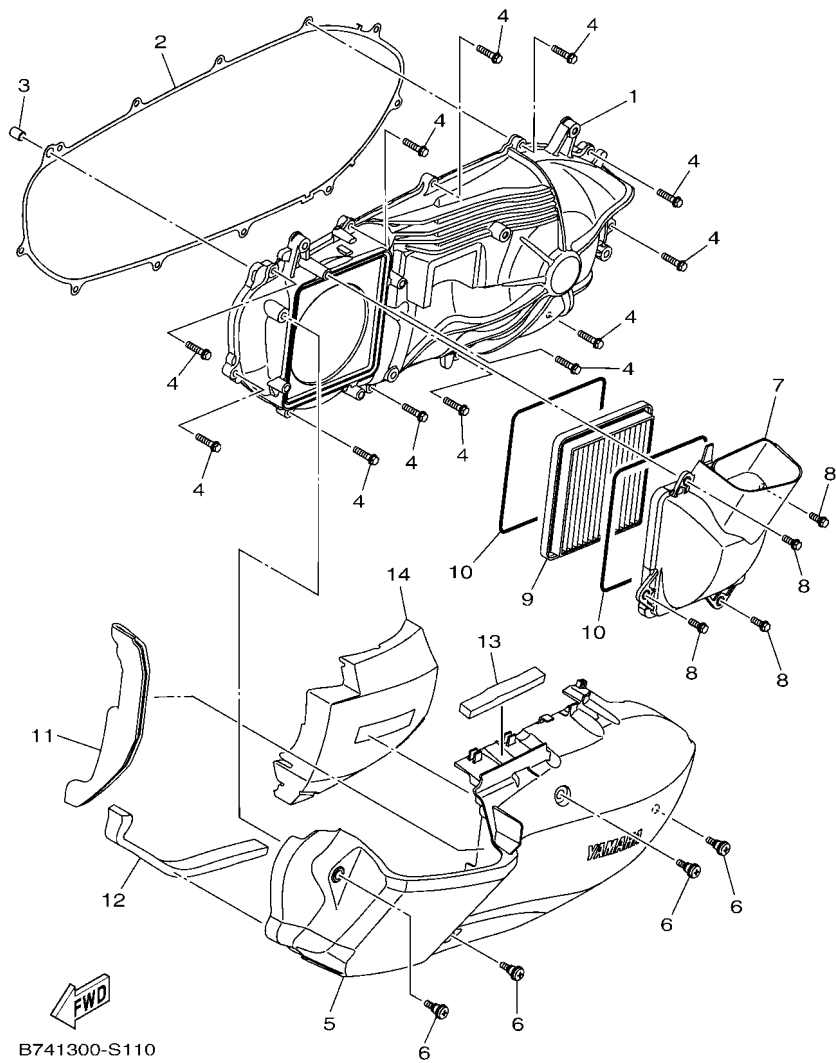
REF. NO.	PART NO.	DESCRIPTION	BJRT				REMARKS
1	B74-E5150-01	CRANKCASE ASSY	1				
2	5D9-E5155-01	NOZZLE 3	1				
3	B74-E5372-01	COLLAR, UNION	2				
4	B74-E5378-00	HOLDER	2				
5	90201-18262	WASHER, PLATE	2				
6	99009-18400	CIRCLIP	2				
7	93210-18397	O-RING	4				
8	5MX-F2216-00	BUSH, REAR SHOCK ABSORBER	1				
9	40D-E1126-00	PIPE, BREATHER 3	1				
10	B74-E5373-00	PIPE, BREATHER	1				
11	90467-12052	CLIP	2				
12	99530-08012	PIN, DOWEL	2				
13	95022-06070	BOLT, FLANGE	13				
14	93102-35805	OIL SEAL	1				
15	B74-E5453-00	GASKET	1				
16	91810-14809	PIN, DOWEL	2				
17	95022-06040	BOLT, FLANGE	10				
18	95022-06060	BOLT, FLANGE	1				
19	2PV-E5113-00	PLATE	1				
20	90340-12808	PLUG, STRAIGHT SCREW	1				
21	4YS-E1198-00	GASKET	1				
22	95812-08016	BOLT, FLANGE	1				
23	90430-08119	GASKET	1				
24	5LW-E5363-00	PLUG, OIL	1				
25	93210-14816	O-RING	1				
26	B74-E5421-00	COVER, CRANKCASE 2	1				
27	B74-E5461-00	GASKET, CRANKCASE COVER 2	1				

FIG. 10 CRANKCASE



BG63516-T100

REF. NO.	PART NO.	DESCRIPTION	BJRT				REMARKS
28	91810-14809	PIN, DOWEL	2				
29	95022-08040	BOLT, FLANGE	6				
30	BX9-H1639-00	COVER	1				



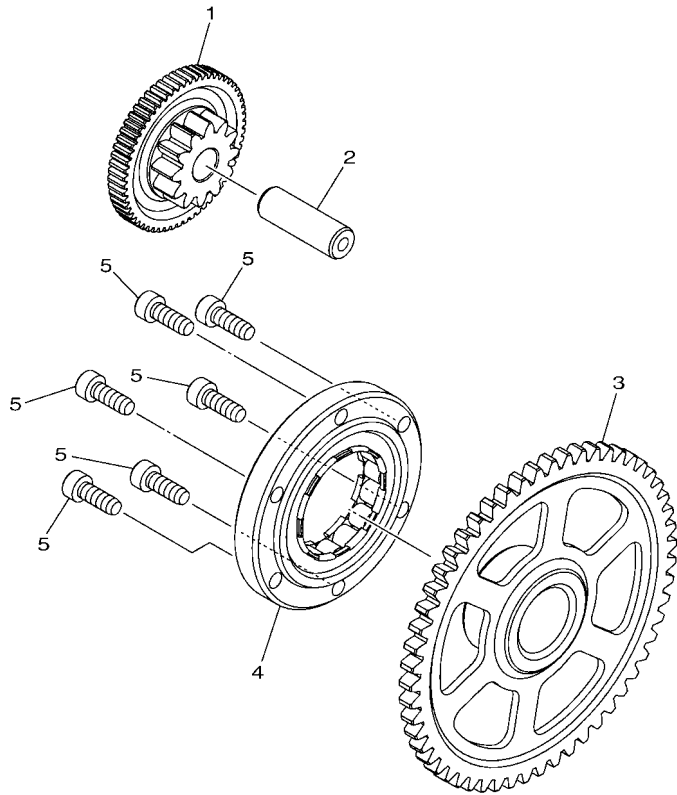
B741300-S110

FIG. 11 CRANKCASE COVER 1

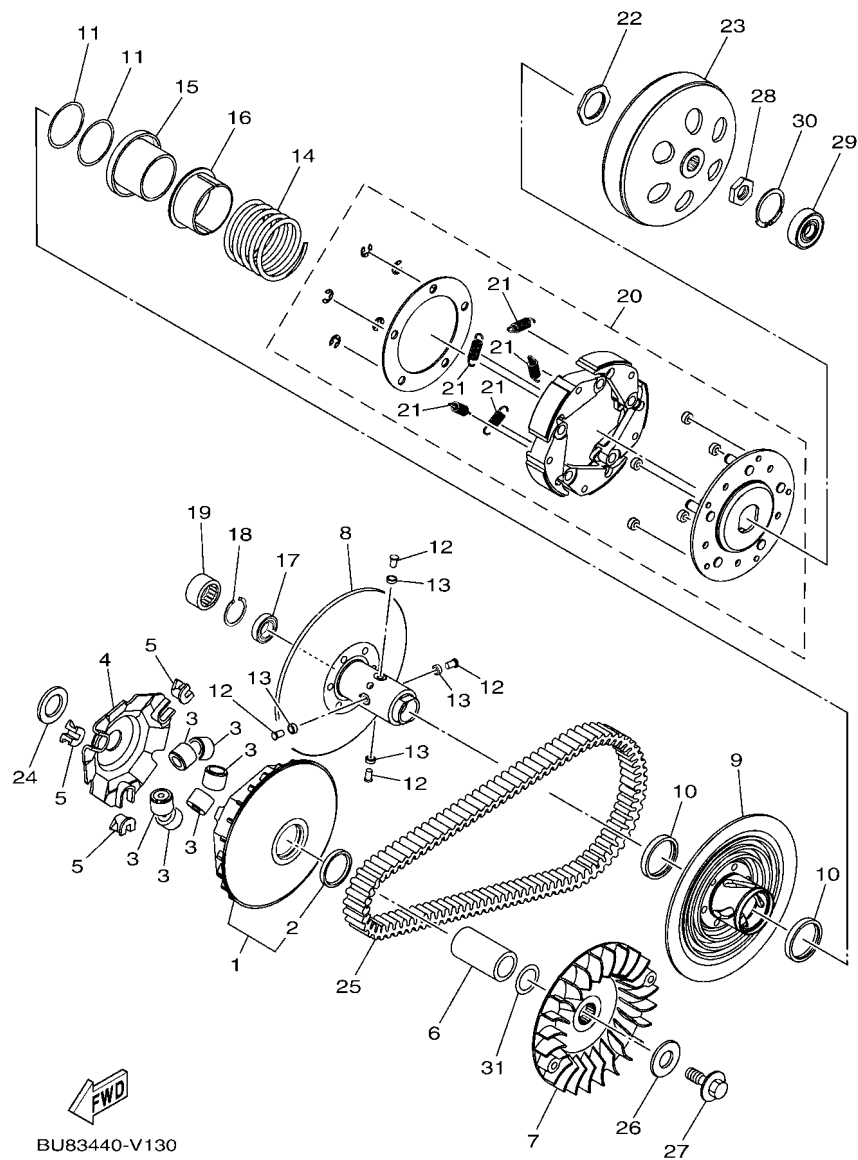
REF. NO.	PART NO.	DESCRIPTION	BJRT			REMARKS
1	B74-E5411-00	COVER, CRANKCASE 1	1			
2	B74-E5451-00	GASKET, CRANKCASE COVER 1	1			
3	91810-14809	PIN, DOWEL	1			
4	95022-06025	BOLT, FLANGE	12			
5	B74-E5431-01	COVER, CRANKCASE 3	1			
6	2DP-E5481-00	BOLT 1	4			UR
	B63-E5481-00	BOLT 1	4			UR
7	B74-E5471-00	DUCT, AIR	1			
8	95027-06016	BOLT, FLANGE	4			
9	B74-E5407-00	ELEMENT 1	1			
10	B74-E5474-00	SEAL, AIR DUCT	2			
11	90520-10837	DAMPER, PLATE	1			
12	90520-20821	DAMPER, PLATE	1			
13	90520-10835	DAMPER, PLATE	1			
14	B74-15338-00	DAMPER 5	1			

FIG. 12 STARTER

REF. NO.	PART NO.	DESCRIPTION	BJRT					REMARKS
1	B74-E5512-00	GEAR, IDLER 1	1					
2	5BP-E5521-00	SHAFT 1	1					
3	B74-E5524-00	WHEEL, STARTER	1					
4	B5X-E5590-00	STARTER ONE-WAY ASSY	1					
5	90110-06161	BOLT, HEXAGON SOCKET HEAD	6					



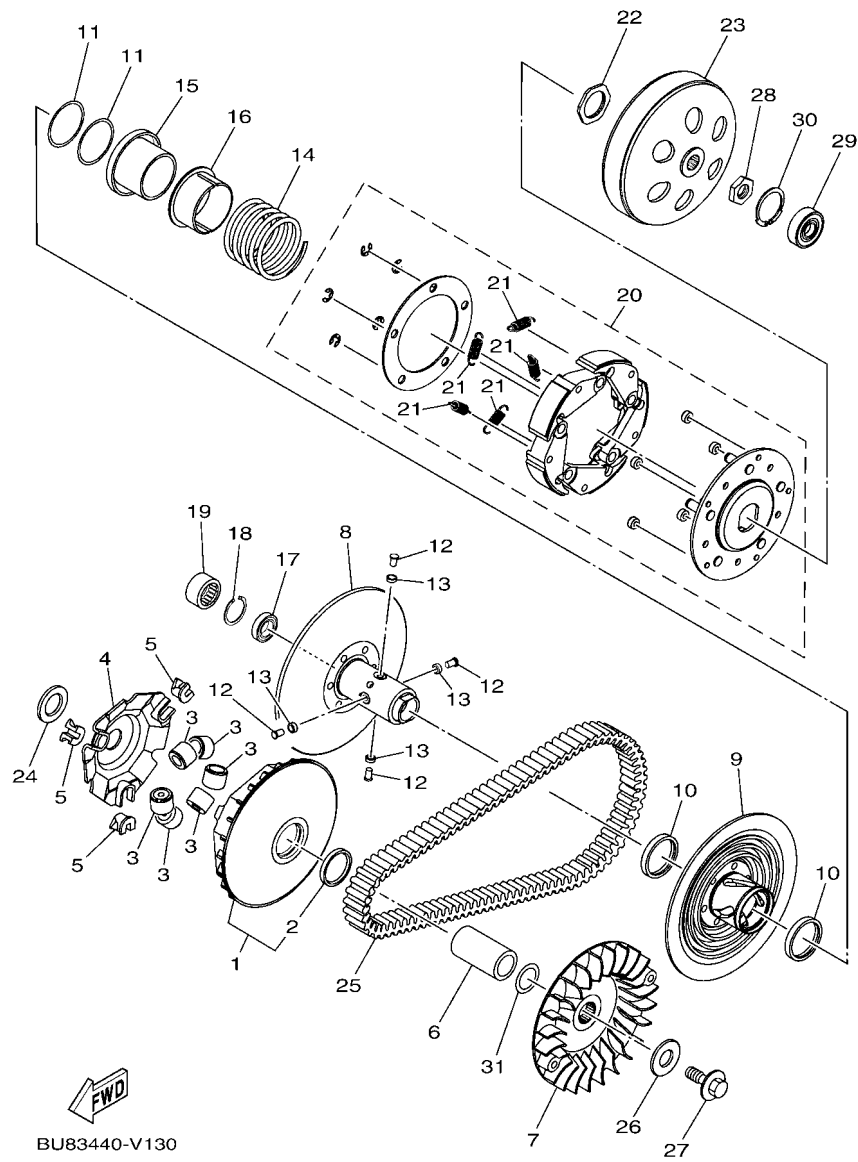
B741300-S120



BU83440-V130

FIG. 13 CLUTCH

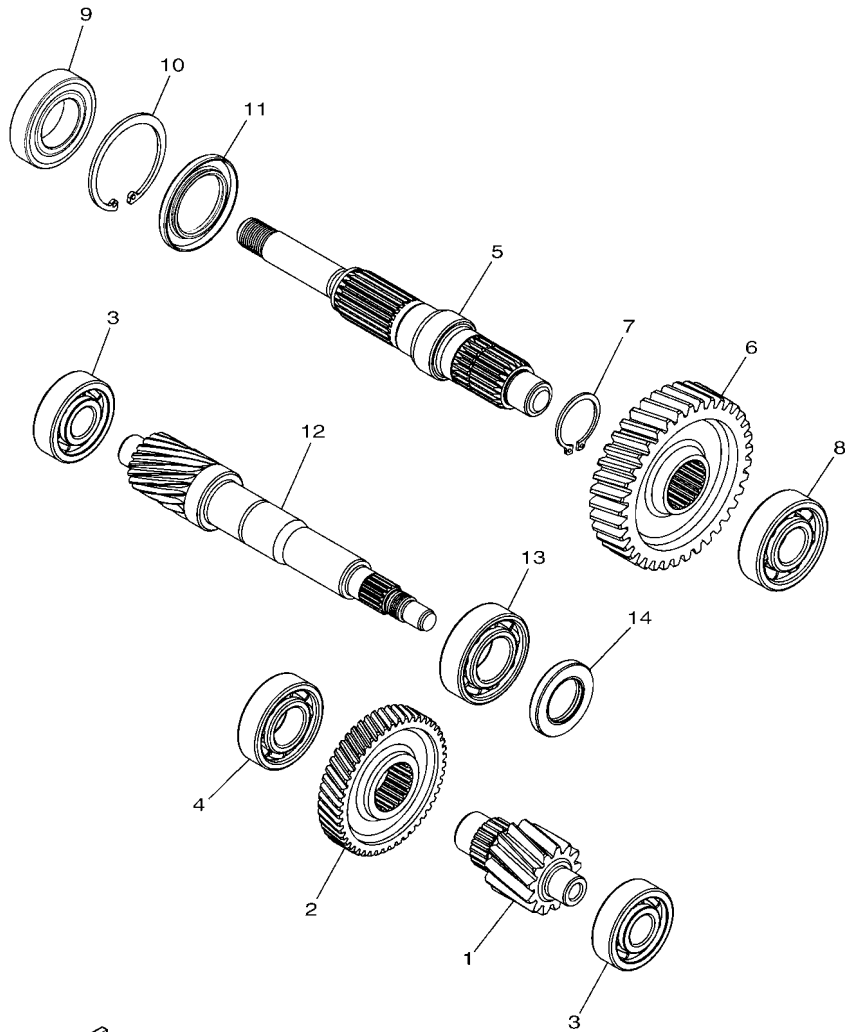
REF. NO.	PART NO.	DESCRIPTION	BJRT				REMARKS
1	B74-E7620-00	PRIMARY SLIDING SHEAVE COMP.	1				
2	B74-E7465-20	.SEAL	1				
3	B74-E7632-00	WEIGHT	6				
4	B74-E7623-00	CAM	1				
5	B74-E7653-00	SLIDER	3				
6	B74-E7674-00	COLLAR, GUIDE	1				
7	B74-E7611-00	SHEAVE, PRIMARY FIXED	1				
8	B74-E7660-00	SECONDARY FIXED SHEAVE COMP.	1				
9	BG6-E7670-00	SECONDARY SLIDING SHEAVE	1				
10	B74-E7465-00	SEAL	2				
11	B74-E7465-10	SEAL	2				
12	B74-E7664-00	PIN, GUIDE	4				
13	B74-E7674-10	COLLAR, GUIDE	4				
14	B74-E7683-00	SPRING, SECONDARY	1				
15	B74-E7684-00	SEAT, SECONDARY SPRING	1				
16	B74-E7644-00	SEAT, SPRING	1				
17	B74-E7678-01	BEARING	1				
18	B74-E5744-00	CIRCLIP	1				
19	B74-E7678-10	BEARING	1				
20	B74-E6620-00	CLUTCH CARRIER ASSY	1				
21	B74-E6626-00	.SPRING, CLUTCH WEIGHT 1	5				
22	B74-E7668-00	NUT	1				
23	B74-E6611-00	CLUTCH HOUSING COMP.	1				
24	90201-23015	WASHER, PLATE	1				
25	B5X-E7641-00	V-BELT	1				
26	90201-19014	WASHER, PLATE	1				
27	90105-12807	BOLT, FLANGE	1				



BU83440-V130

FIG. 13 CLUTCH

REF. NO.	PART NO.	DESCRIPTION	BJRT	REMARKS
28	90170-14802	NUT	1	
29	B74-E7412-00	BEARING	1	
30	99009-40700	CIRCLIP	1	
31	90201-23801	WASHER, PLATE	1	

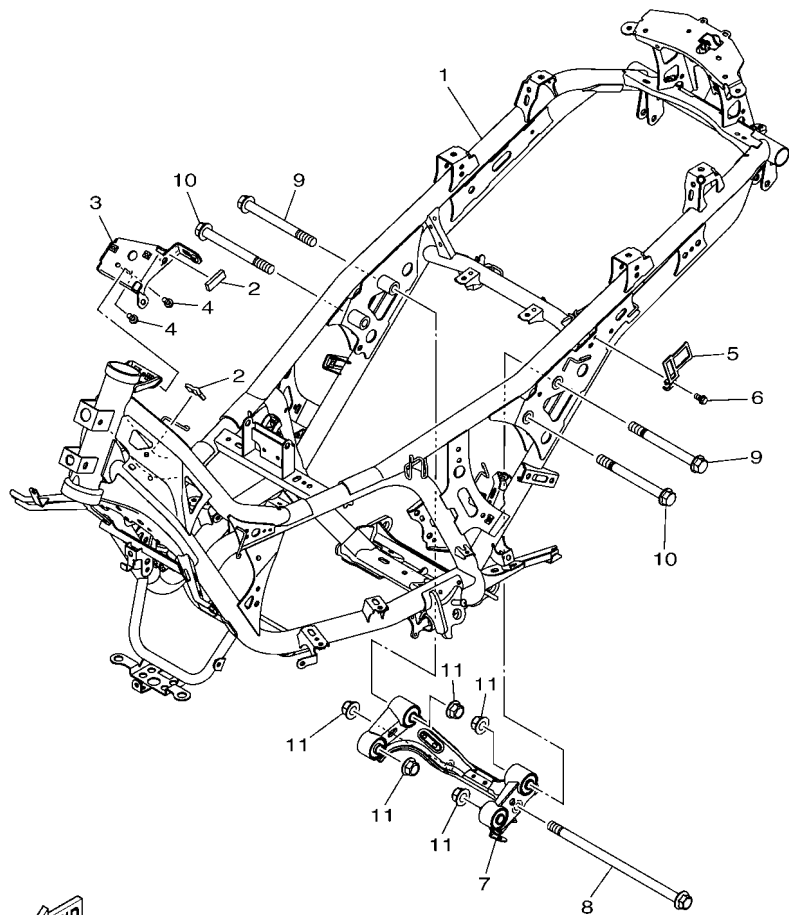


B741300-S140

FIG. 14 TRANSMISSION

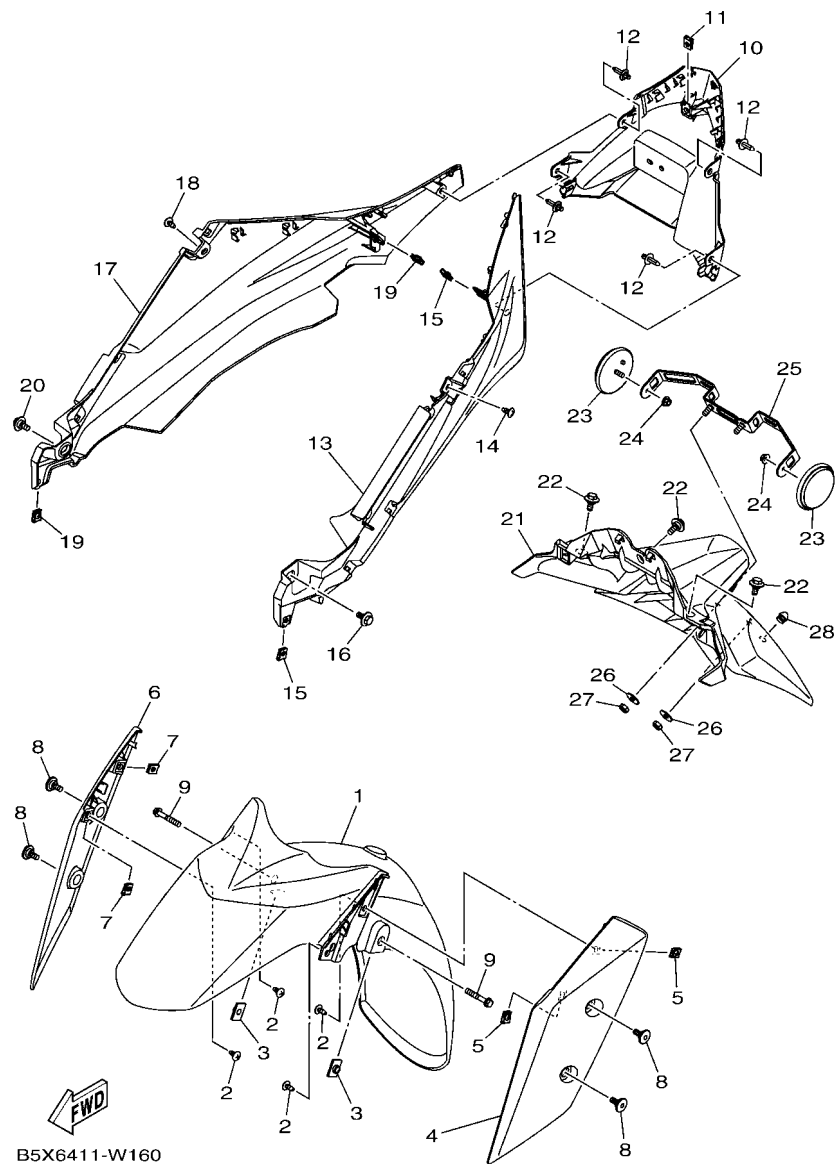
REF. NO.	PART NO.	DESCRIPTION	BJRT				REMARKS
1	B74-E7411-10	AXLE, MAIN (13T)	1				
2	B74-E6151-00	GEAR, PRIMARY DRIVEN (48T)	1				
3	93306-303YT	BEARING	2				
4	93306-272YC	BEARING	1				
5	B74-E7421-00	AXLE, DRIVE	1				
6	B74-E7211-00	GEAR, 1ST WHEEL (37T)	1				
7	99009-28400	CIRCLIP	1				
8	93306-304YW	BEARING	1				
9	93306-078Y1	BEARING	1				
10	99009-52500	CIRCLIP	1				
11	93102-35806	OIL SEAL	1				
12	B74-E6111-00	GEAR, PRIMARY DRIVE (18D)	1				
13	93300-205Y0	BEARING	1				
14	93102-25826	OIL SEAL	1				

FIG. 15 FRAME



B741300-S150

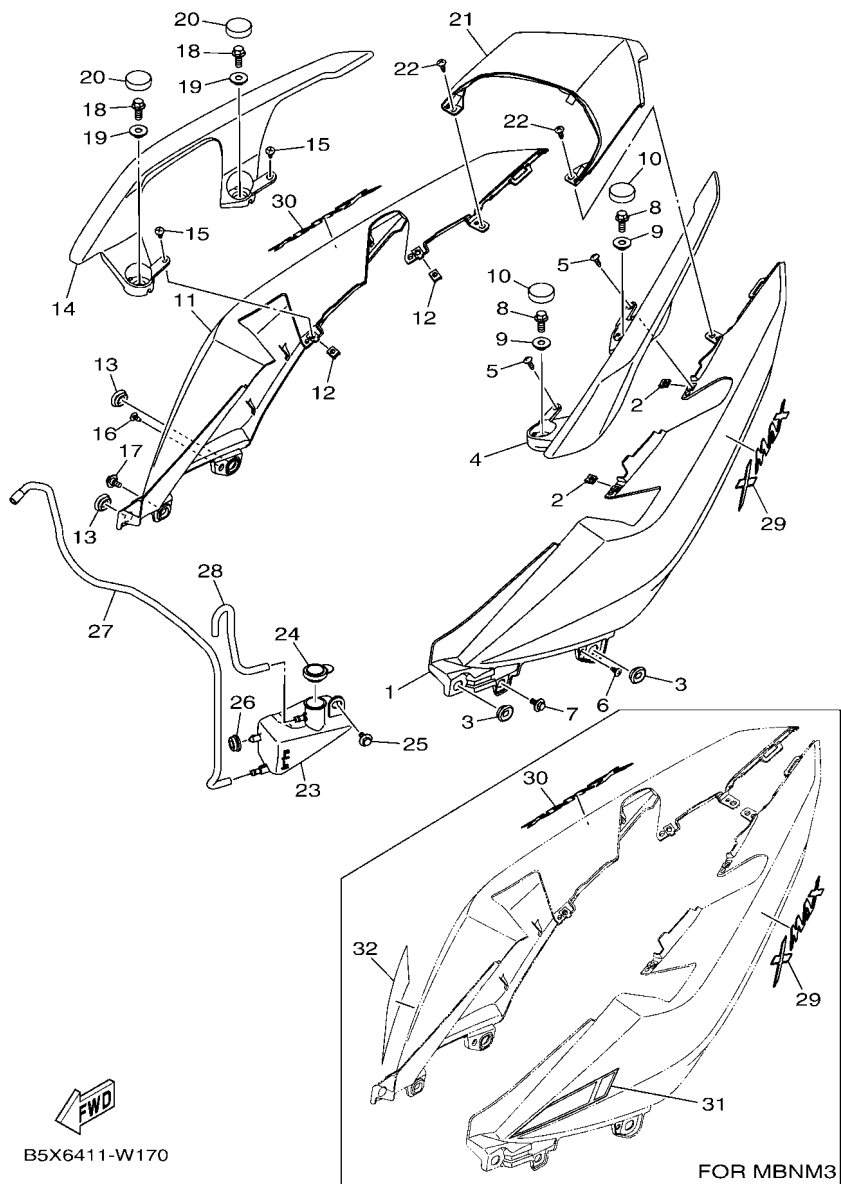
REF. NO.	PART NO.	DESCRIPTION	BJRT				REMARKS
1	B74-F1110-01	FRAME COMP.	1				
2	90520-04015	DAMPER, PLATE	2				
3	B74-H251P-00	BRACKET, MAIN SWITCH	1				
4	95E32-06012	BOLT, FLANGE DEEP RECESS	2				
5	B74-F149S-00	BRACKET 5	1				
6	95E32-06012	BOLT, FLANGE DEEP RECESS	1				
7	B74-F1400-02	ENGINE BRACKET COMP.	1				
8	B74-F2141-00	SHAFT, PIVOT	1				
9	90105-12806	BOLT, FLANGE	2				
10	90105-12805	BOLT, FLANGE	2				
11	95602-12200	NUT, SELF-LOCKING	5				



B5X6411-W160

FIG. 16 FENDER

REF. NO.	PART NO.	DESCRIPTION	BJRT				REMARKS
1	B74-F1511-00	FENDER, FRONT	1				
2	97702-50012	SCREW, TAPPING	4				
3	90179-06055	NUT	2				
4	B74-F1513-00-PB	STAY, FENDER 1	1				UR FOR MBNM3
	B74-F1513-00-3E	STAY, FENDER 1	1				UR FOR PGD
5	90183-05807	NUT, SPRING	2				
6	B74-F1514-00-PB	STAY, FENDER 2	1				UR FOR MBNM3
	B74-F1514-00-3E	STAY, FENDER 2	1				UR FOR PGD
7	90183-05807	NUT, SPRING	2				
8	90109-068C5	BOLT	4				
9	95E37-06035	BOLT, FLANGE DEEP RECESS	2				
10	B74-F1651-00	COVER, REAR FENDER	1				
11	90183-05807	NUT, SPRING	1				
12	90269-06816	RIVET	4				
13	B74-F172A-00	PANEL 1	1				
14	97702-50012	SCREW, TAPPING	1				
15	90183-05807	NUT, SPRING	2				
16	90109-068B5	BOLT	1				
17	B74-F172F-00	PANEL 2	1				
18	97702-50012	SCREW, TAPPING	1				
19	90183-05807	NUT, SPRING	2				
20	90109-068B5	BOLT	1				
21	B74-F1611-00	FENDER, REAR	1				
22	90109-068B5	BOLT	3				
23	2FC-H5111-00	REFLECTOR, 1	2				
24	95707-05500	NUT, FLANGE	2				
25	B74-H4550-00	LICENCE BRACKET ASSY	1				

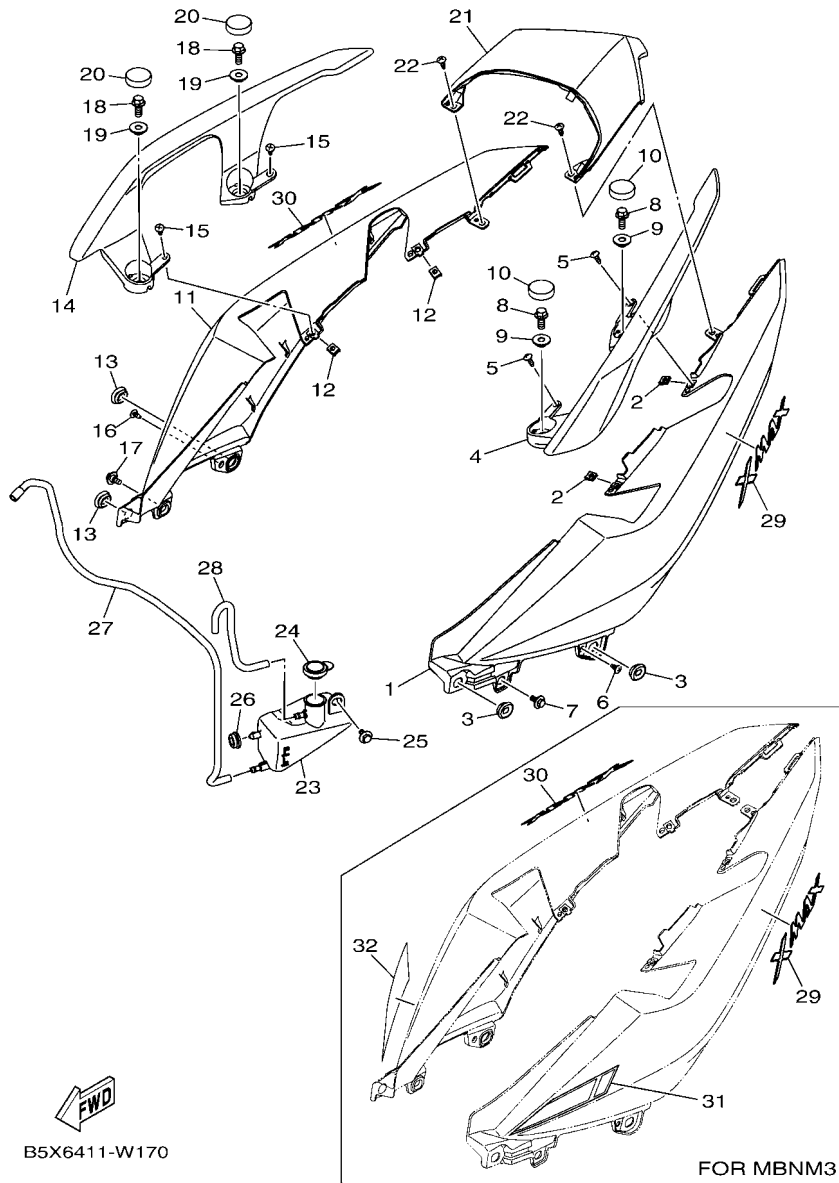


B5X6411-W170

FIG. 17 SIDE COVER

REF. NO.	PART NO.	DESCRIPTION	BJRT	REMARKS
1	B74-F1731-00-PB	COVER, SIDE 3	1	UR FOR MBNM3
	B74-F1731-00-3E	COVER, SIDE 3	1	UR FOR PGD
2	90183-05807	NUT, SPRING	2	
3	90480-01559	GROMMET	2	
4	BX9-F474A-00-PC	ASSIST, GRIP	1	UR FOR MBNM3
	BX9-F474A-00-3E	ASSIST, GRIP	1	UR FOR PGD
5	97702-50016	SCREW, TAPPING	2	
6	97702-50012	SCREW, TAPPING	1	
7	90109-068B5	BOLT	1	
8	95812-08020	BOLT, FLANGE	2	
9	90387-08839	COLLAR	2	
10	B74-F3469-00	CAP, BOLT	2	
11	B74-F1741-00-PB	COVER, SIDE 4	1	UR FOR MBNM3
	B74-F1741-00-3E	COVER, SIDE 4	1	UR FOR PGD
12	90183-05807	NUT, SPRING	2	
13	90480-01559	GROMMET	2	
14	BX9-F474W-00-PB	ASSIST, GRIP 2	1	UR FOR MBNM3
	BX9-F474W-00-3E	ASSIST, GRIP 2	1	UR FOR PGD
15	97702-50016	SCREW, TAPPING	2	
16	97702-50012	SCREW, TAPPING	1	
17	90109-068B5	BOLT	1	
18	95812-08020	BOLT, FLANGE	2	
19	90387-08839	COLLAR	2	
20	B74-F3469-00	CAP, BOLT	2	
21	B74-F171E-00-PB	COVER, SIDE 5	1	UR FOR MBNM3
	B74-F171E-00-3E	COVER, SIDE 5	1	UR FOR PGD
22	97702-50016	SCREW, TAPPING	2	

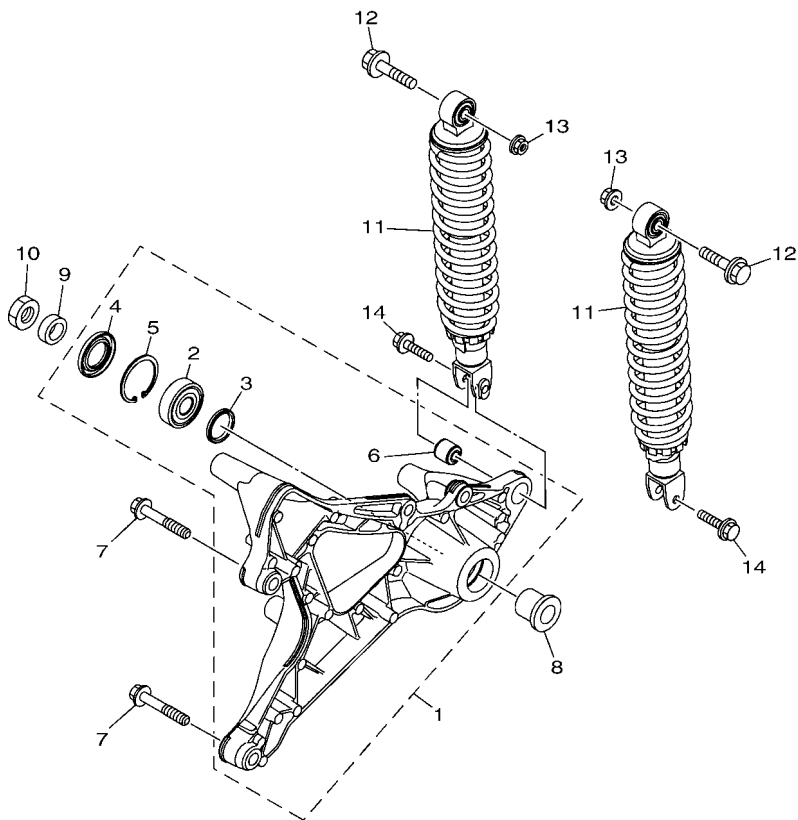
FIG. 17 SIDE COVER



B5X6411-W170

REF. NO.	PART NO.	DESCRIPTION	BJRT				REMARKS
23	B74-F1871-00	TANK, RECOVERY	1				
24	1S7-F1875-01	CAP	1				
25	90109-068B5	BOLT	1				
26	90480-13567	GROMMET	1				
27	B74-F1816-00	PIPE 1	1				
28	B74-F1817-01	PIPE 2	1				
29	B74-F173B-20	EMBLEM 3D	1				
30	B74-F173B-20	EMBLEM 3D	1				
31	BG6-F173E-00	GRAPHIC 1	1				FOR MBNM3
32	BG6-F173F-00	GRAPHIC 2	1				FOR MBNM3

FIG. 18 REAR ARM & SUSPENSION



B5X1700-W180

REF. NO.	PART NO.	DESCRIPTION	BJRT				REMARKS
1	B74-F2100-00	REAR ARM ASSY	1				
2	93306-303YV	.BEARING	1				
3	93106-28801	.OIL SEAL	1				
4	93106-28813	.OIL SEAL	1				
5	99009-47500	.CIRCLIP	1				
6	90388-08803	.DAMPER	1				
7	95817-10060	BOLT, FLANGE	2				
8	B74-F5183-00	COLLAR, WHEEL	1				
9	90387-17807	COLLAR	1				
10	90185-16800	NUT, SELF-LOCKING	1				
11	B74-F2210-10	SHOCK ABSORBER ASSY, REAR	2				
12	95D37-10040	BOLT, FLANGE DEEP RECESS	2				
13	95607-10200	NUT, U FLANGE	2				
14	95817-08030	BOLT, FLANGE	2				

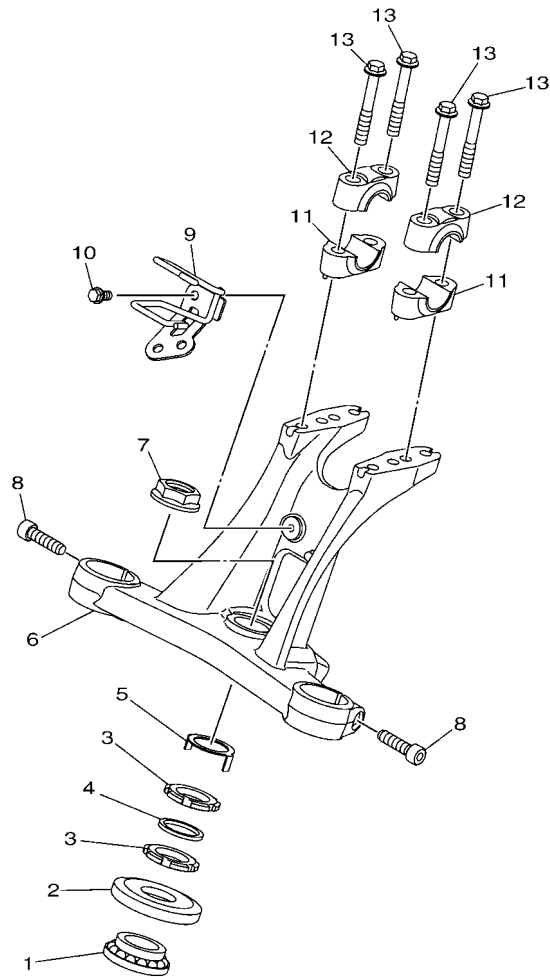


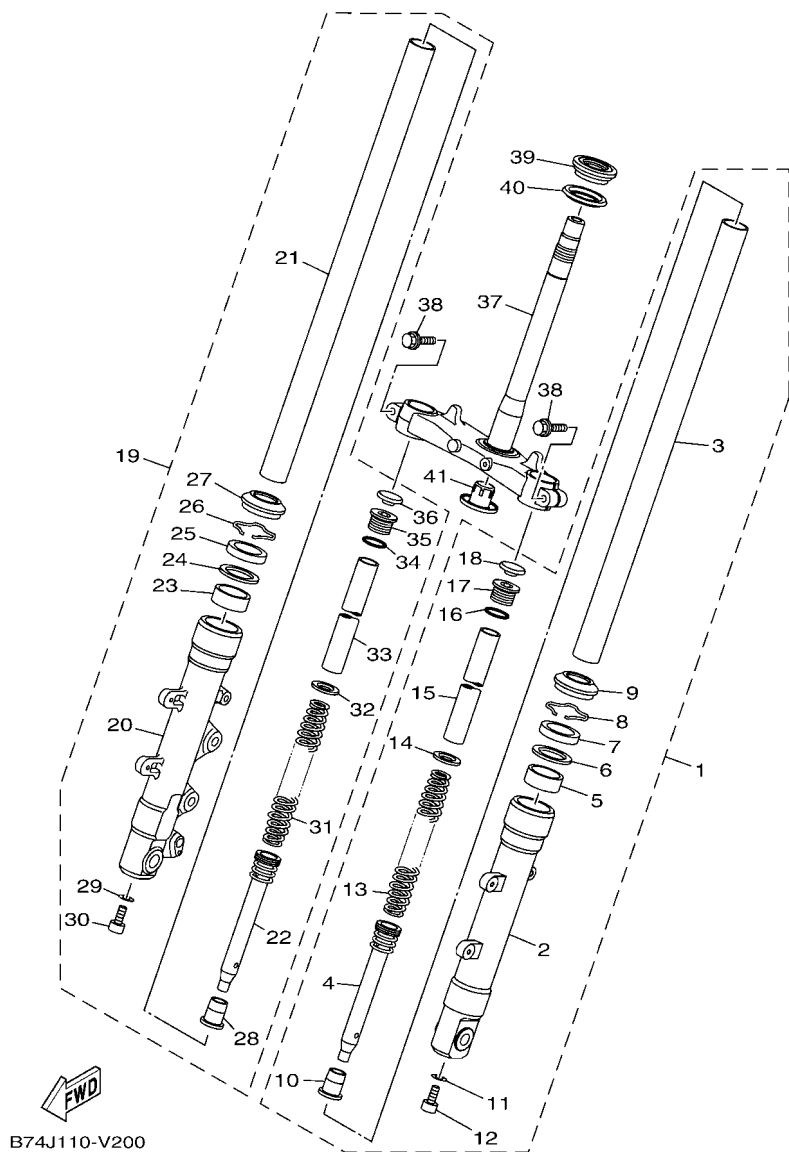
FIG. 19 STEERING

REF. NO.	PART NO.	DESCRIPTION	BJRT				REMARKS
1	93399-999Y3	BEARING	1				
2	5BP-F3416-10	COVER, BALL RACE 2	1				
3	90179-25810	NUT	2				
4	90202-26142	WASHER, PLATE	1				
5	5BP-F3418-00	WASHER, SPECIAL	1				
6	B74-F3435-00	CROWN, HANDLE	1				
7	90179-22025	NUT	1				
8	91312-08030	BOLT, HEXAGON SOCKET HEAD	2				
9	B74-F312H-00	CLAMP	1				
10	95E32-06012	BOLT, FLANGE DEEP RECESS	1				
11	B74-F3442-00	HOLDER, HANDLE LOWER	2				
12	B74-F3441-00	HOLDER, HANDLE UPPER	2				
13	95E32-08055	BOLT, FLANGE DEEP RECESS	4				



B741300-S190

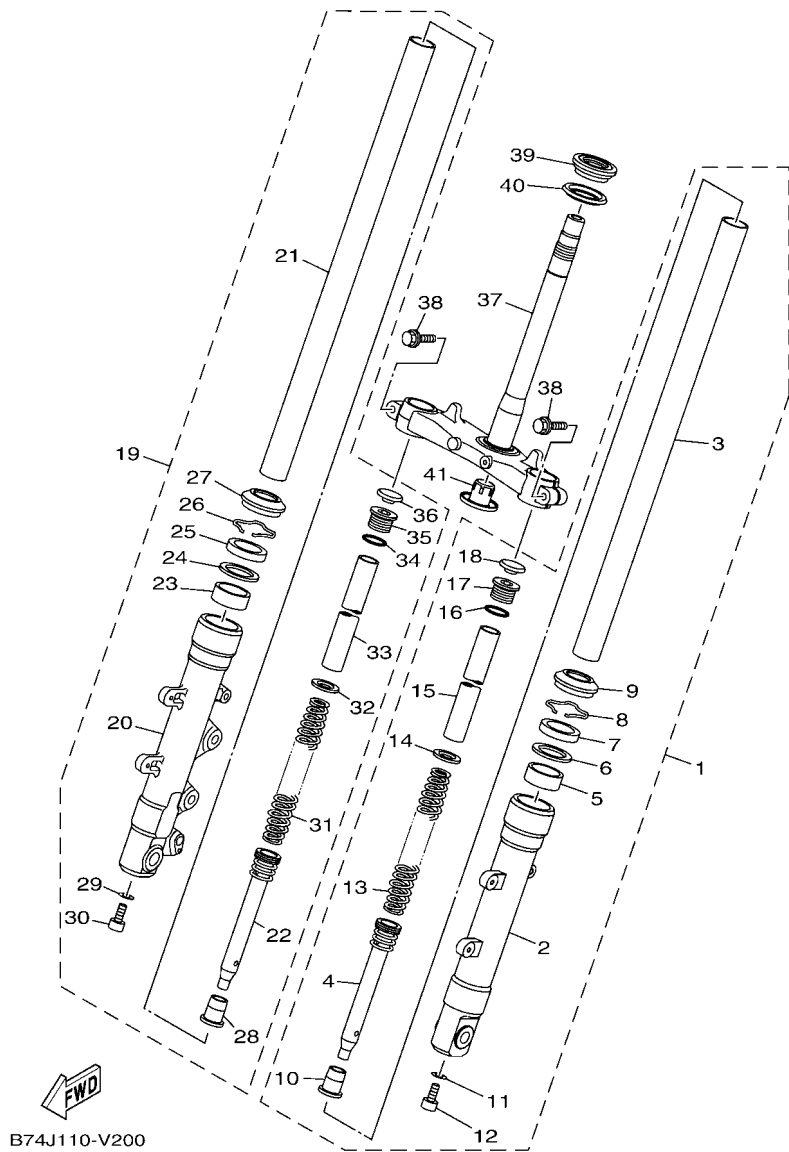
FIG. 20 FRONT FORK



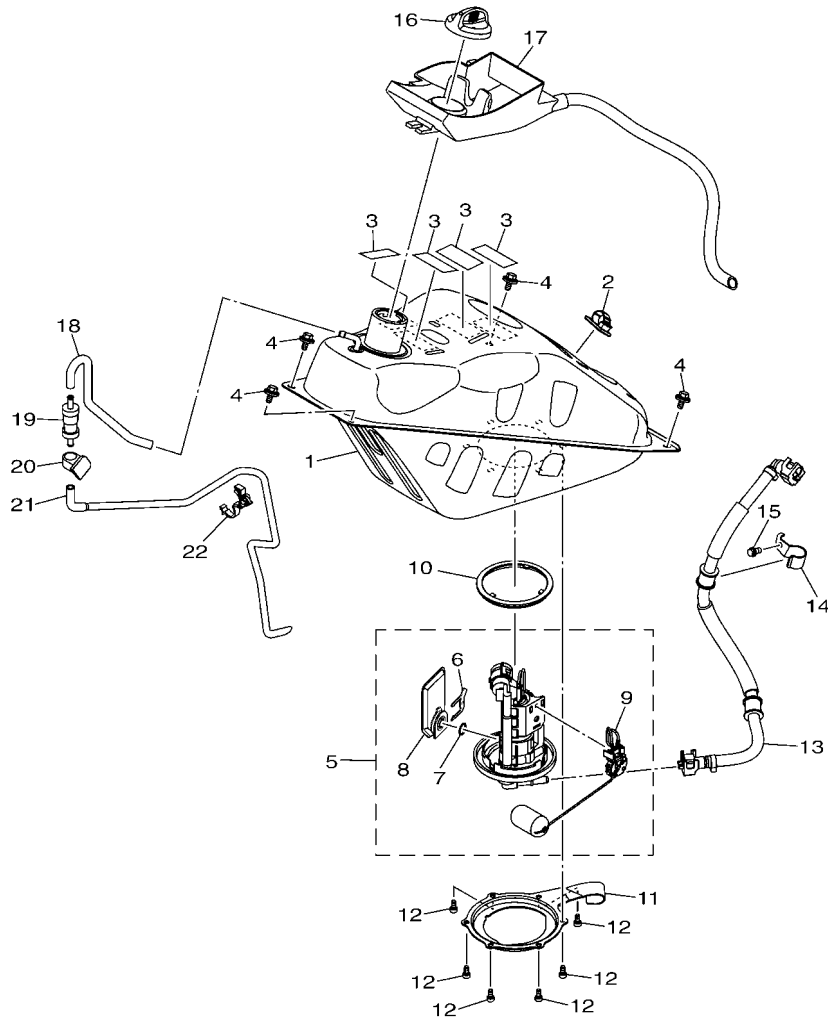
B74J110-V200

REF. NO.	PART NO.	DESCRIPTION	BJRT				REMARKS
1	BG6-F3102-00	FRONT FORK ASSY (L.H)	1				
2	B74-F3126-00	.TUBE, OUTER (L.H)	1				
3	BG6-F3107-00	.INNER TUBE COMP.	1				
4	B74-F3170-00	.CYLINDER COMP., FRONT FORK	1				
5	4HC-23125-20	.METAL, SLIDE 1	1				
6	22W-23146-L0	.WASHER, OIL SEAL	1				
7	5BP-F3145-00	.OIL SEAL	1				
8	22W-F3156-L0	.RING, SNAP	1				
9	5BP-F3144-00	.SEAL, DUST	1				
10	2CM-F3166-00	.SPACER, OIL LOCK	1				
11	2BU-F3158-00	.GASKET	1				
12	31B-F3181-00	.BOLT, HEXAGON SOCKET HEAD	1				
13	B74-F3141-00	.SPRING, FRONT FORK	1				
14	2JK-F3149-01	.WASHER, SPRING UPPER	1				
15	B74-F3118-00	.SPACER	1				
16	2JK-F3114-00	.GASKET	1				
17	5BP-F3111-10	.BOLT, CAP	1				
18	2N4-23168-00	.PLUG	1				
19	BG6-F3103-00	FRONT FORK ASSY (R.H)	1				
20	B74-F3136-00	.TUBE, OUTER 2	1				
21	BG6-F3107-00	.INNER TUBE COMP.	1				
22	B74-F3170-00	.CYLINDER COMP., FRONT FORK	1				
23	4HC-23125-20	.METAL, SLIDE 1	1				
24	22W-23146-L0	.WASHER, OIL SEAL	1				
25	5BP-F3145-00	.OIL SEAL	1				
26	22W-F3156-L0	.RING, SNAP	1				
27	5BP-F3144-00	.SEAL, DUST	1				

FIG. 20 FRONT FORK



REF. NO.	PART NO.	DESCRIPTION	BJRT				REMARKS
28	2CM-F3166-00	.SPACER, OIL LOCK	1				
29	2BU-F3158-00	.GASKET	1				
30	31B-F3181-00	.BOLT, HEXAGON SOCKET HEAD	1				
31	B74-F3141-00	.SPRING, FRONT FORK	1				
32	2JK-F3149-01	.WASHER, SPRING UPPER	1				
33	B74-F3118-00	.SPACER	1				
34	2JK-F3114-00	.GASKET	1				
35	5BP-F3111-10	.BOLT, CAP	1				
36	2N4-23168-00	.PLUG	1				
37	B74-F3340-00	UNDER BRACKET COMP.	1				
38	2JK-F3346-00	BOLT 1	2				
39	93399-99932	BEARING	1				
40	3FV-23462-00	SEAL, STEERING	1				
41	B65-F3123-00	COVER, UNDER 1	1				



BG61460-S210

FIG. 21 FUEL TANK

REF. NO.	PART NO.	DESCRIPTION	BJRT				REMARKS
1	B74-F4110-01	FUEL TANK COMP.	1				
2	90464-13185	CLAMP	1				
3	5D9-F414G-00	SEAL	4				
4	90119-068A2	BOLT, WITH WASHER	4				
5	B74-E3907-01	FUEL PUMP COMP.	1				
6	3C1-F4519-00	.CLIP	1				
7	3C1-24512-00	.GASKET	1				
8	3C1-E3915-00	.FILTER	1				
9	B74-H5752-00	.SENDER UNIT ASSY, FUEL METER	1				
10	3C1-F4486-00	O-RING	1				
11	B74-F4425-00	BRACKET, FUEL PUMP 1	1				
12	91312-05010	BOLT, HEXAGON SOCKET HEAD	6				
13	B74-E3971-01	PIPE, FUEL 1	1				
14	B74-F419A-00	HOLDER	1				
15	95E32-06012	BOLT, FLANGE DEEP RECESS	1				
16	B74-F4610-00	CAP ASSY	1				
17	B74-F414A-00	COVER, FILLER	1				
18	B74-F4313-00	PIPE 3	1				
19	1DW-F4180-02	ROLL OVER VALVE ASSY	1				
20	B74-F4135-00	CLAMP 1	1				
21	BG6-F4314-00	PIPE 4	1				
22	90464-10008	CLAMP	1				

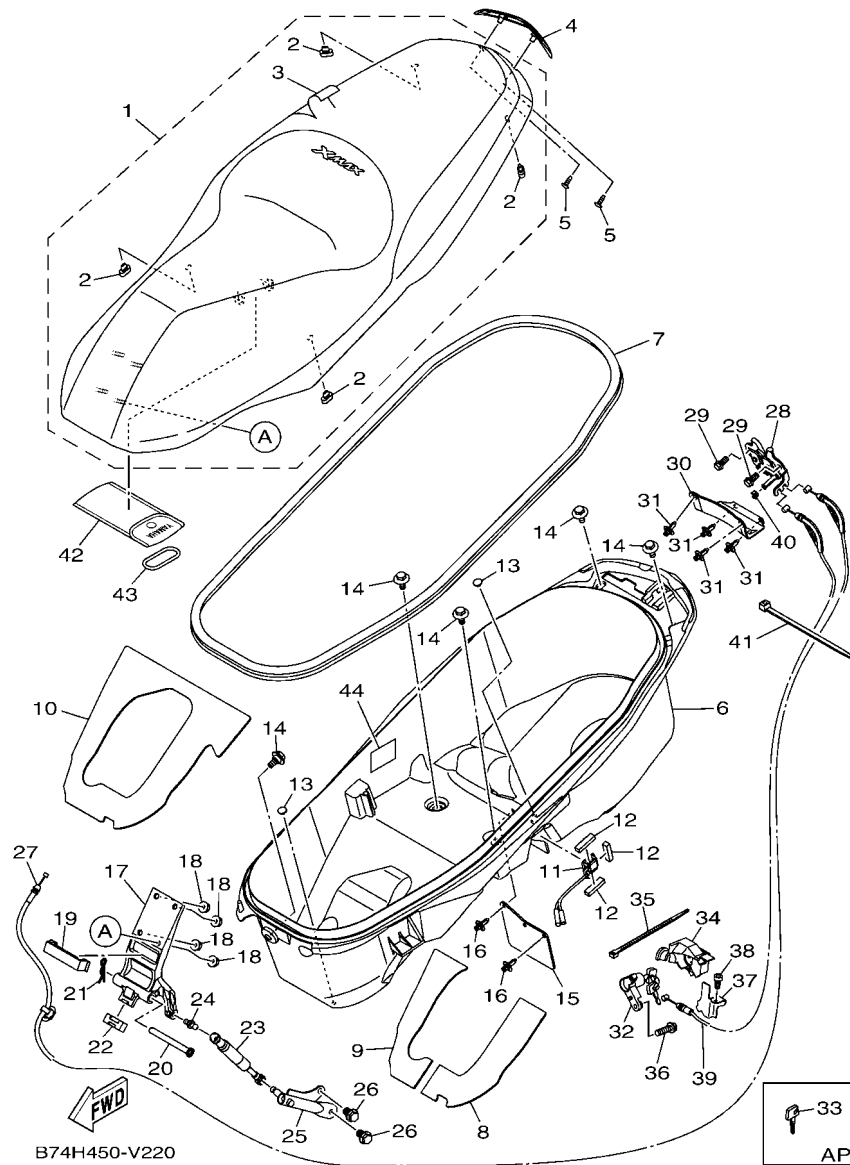
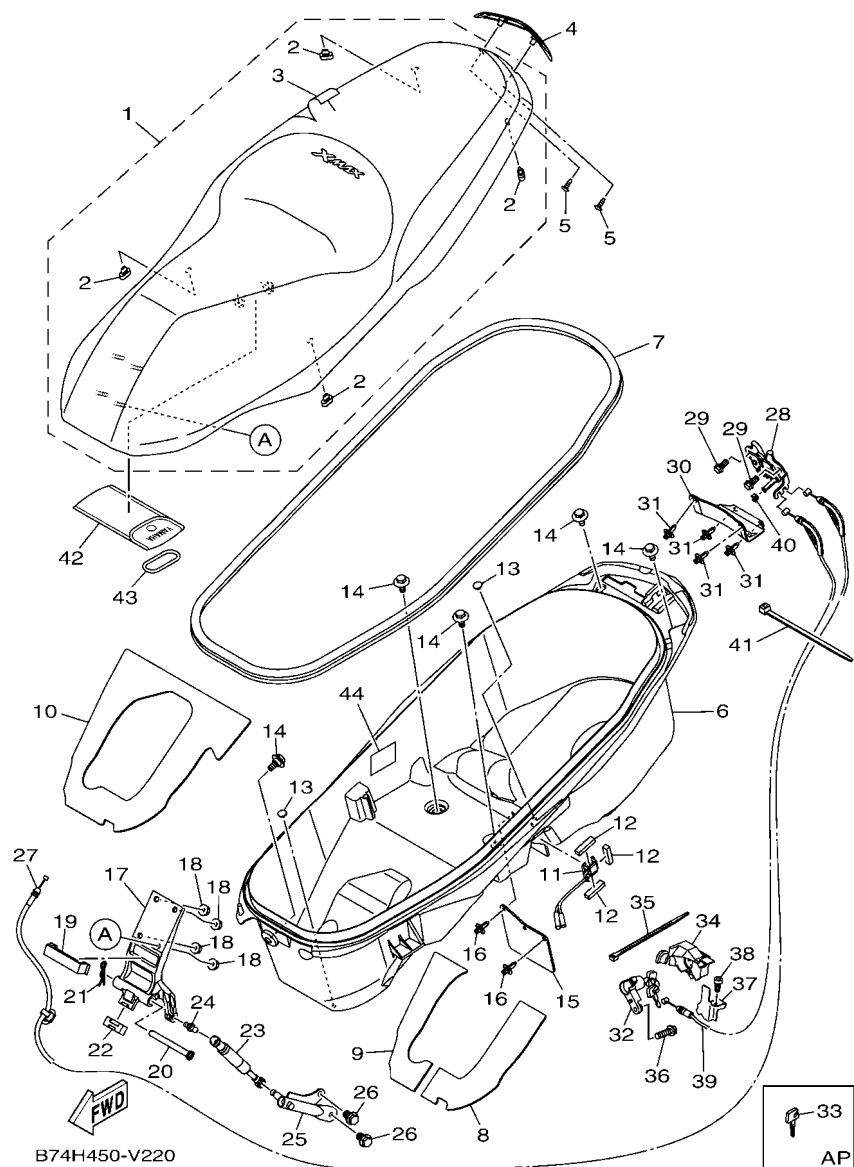


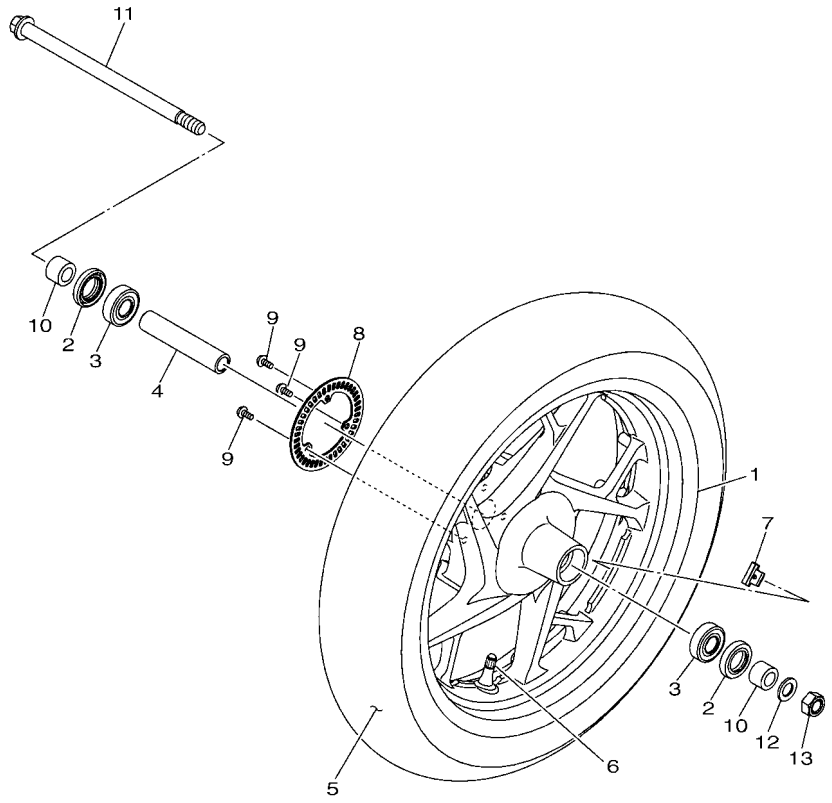
FIG. 22 SEAT

REF. NO.	PART NO.	DESCRIPTION	BJRT				REMARKS
1	B5X-F4730-10	DOUBLE SEAT ASSY	1				UR FOR MBNM3
	B5X-F4730-00	DOUBLE SEAT ASSY	1				UR FOR PGD
2	B74-F4741-00	.PAD, SEAT	4				
3	B5X-F470F-10	.SEAT COVER COMP.	1				UR FOR MBNM3
	B5X-F470F-00	.SEAT COVER COMP.	1				UR FOR PGD
4	B74-F4786-00	EMBLEM	1				
5	97702-40012	SCREW, TAPPING	2				
6	B74-F473R-00	BOX 1	1				
7	B74-F475M-00	SEAL	1				
8	B74-F476U-00	PROTECTOR 1	1				
9	B74-F476V-00	PROTECTOR,2	1				
10	B74-F4723-00	DAMPER, SEAT	1				
11	B74-H4770-00	LIGHT, ACCESSORY	1				
12	90520-10834	DAMPER, PLATE	3				
13	90338-06809	PLUG	2				
14	90109-068B5	BOLT	5				
15	B74-F1621-00	FLAP	1				
16	90269-06816	RIVET	2				
17	B74-F4769-00	HINGE, SEAT	1				
18	95702-06500	NUT, FLANGE	4				
19	B74-F4785-00	MOLE, SEAT	1				
20	B74-F4727-00	PIN, SEAT FITTING	1				
21	90468-18121	CLIP	1				
22	B74-F4639-00	STOPPER, PLATE	1				
23	B74-F478G-00	STOPPER	1				
24	B74-F474E-00	ARM	1				
25	B74-F1121-00	BRACKET, DAMPER	1				

FIG. 22 SEAT



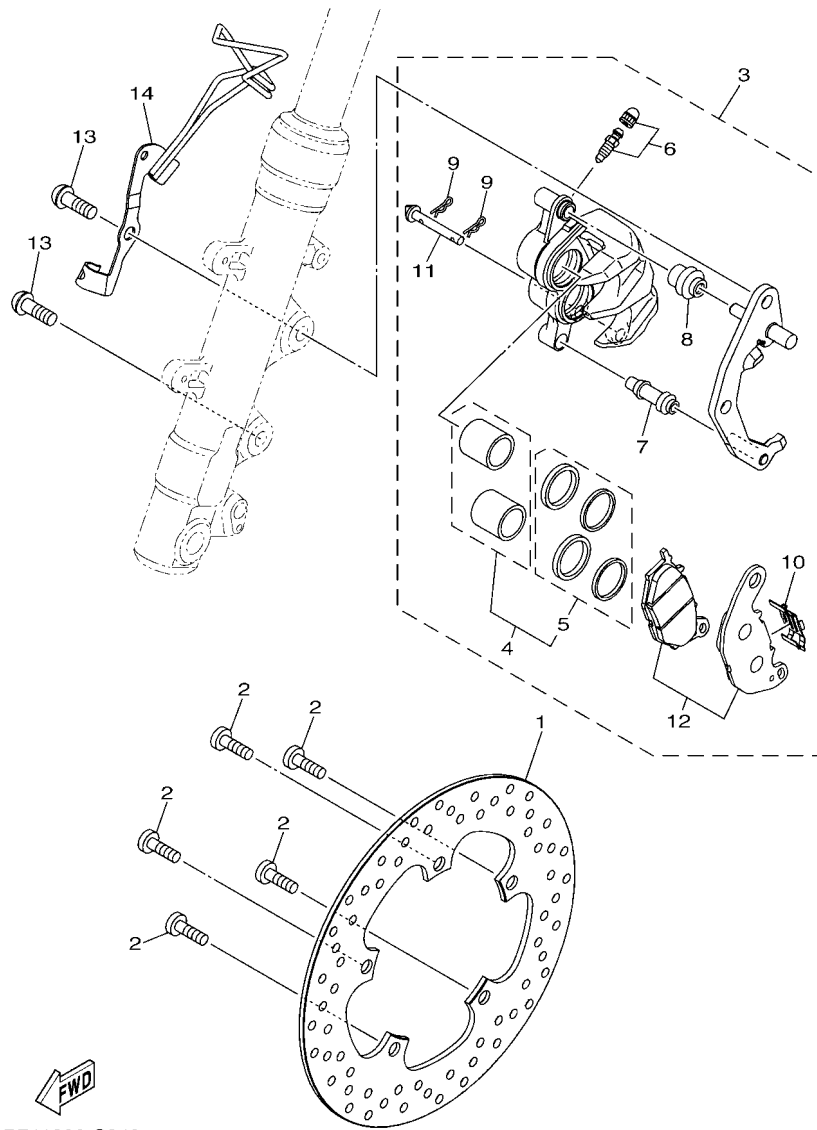
REF. NO.	PART NO.	DESCRIPTION	BJRT				REMARKS
26	95E32-08012	BOLT, FLANGE DEEP RECESS	2				
27	B74-F478E-00	CABLE, SEAT LOCK	1				
28	B65-F4780-00	SEAT LOCK ASSY	1				
29	95E32-06012	BOLT, FLANGE DEEP RECESS	2				
30	B74-F472T-01	COVER, SEAT LOCK	1				
31	90269-06816	RIVET	4				
32	B74-F465E-00	ROTOR COMP.	1				
33	B74-F4652-09	BLANK KEY	1				AP
34	B74-F465B-00	CAP, ROTOR	1				
35	90464-36800	CLAMP	1				
36	92012-06020	BOLT, BUTTON HEAD	1				
37	B74-F471D-00	PLATE, LOCK 1	1				
38	91312-05010	BOLT, HEXAGON SOCKET HEAD	1				
39	B74-F479D-00	WIRE, SEAT LOCK 2	1				
40	1S7-F4768-00	STOPPER	1				
41	90464-50800	CLAMP	1				
42	B74-F8100-00	TOOL KIT	1				
43	B74-F8175-00	HOLDER, TOOL	1				
44	B17-F1668-00	LABEL, TIRE	1				




B741300-S230

FIG. 23 FRONT WHEEL

REF. NO.	PART NO.	DESCRIPTION	BJRT	REMARKS
1	B74-F5168-00-P2	CAST WHEEL, FRONT	1	DPBM15 FOR MBNM3
	B74-F5168-00-33	CAST WHEEL, FRONT	1	YB FOR PGD
2	93106-22808	OIL SEAL	2	
3	933A6-202Y1	BEARING	2	
4	90387-15835	COLLAR	1	
5	94112-15800	TIRE (120/70-15 M/C 56P)	1	DUNLOP
6	93900-00828	VALVE, RIM	1	
7	5MT-25398-00	BALANCER, WHEEL (10G)	1	UN
	5MT-25398-10	BALANCER, WHEEL (20G)	1	UN
	5MT-25398-20	BALANCER, WHEEL (30G)	1	UN
8	2DP-F517G-00	ROTOR, SENSOR	1	
9	90149-05029	SCREW	3	
10	90387-15834	COLLAR	2	
11	B74-F5181-00	AXLE, WHEEL	1	
12	90201-15813	WASHER, PLATE	1	
13	90185-14801	NUT, SELF-LOCKING	1	

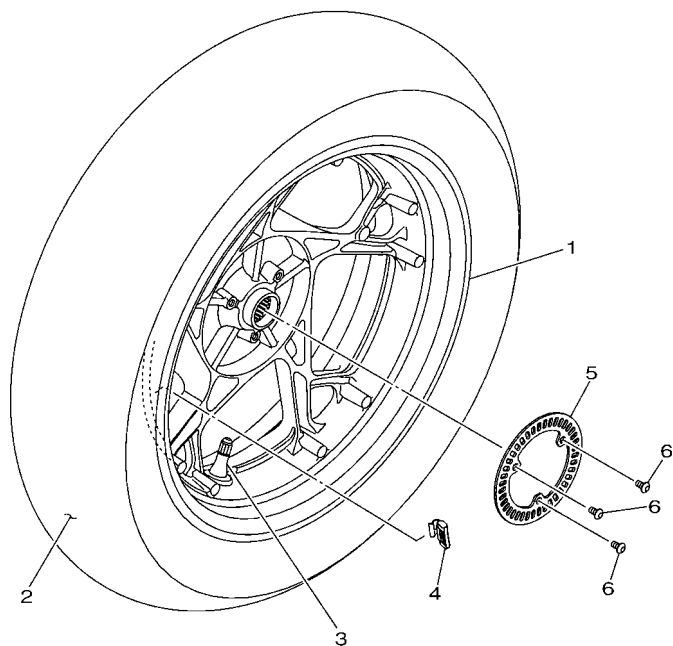


B741300-S240

FIG. 24 FRONT BRAKE CALIPER

REF. NO.	PART NO.	DESCRIPTION	BJRT				REMARKS
1	B74-F582U-00	DISK, BRAKE (RIGHT)	1				
2	90109-08232	BOLT	5				
3	B74-F580U-00	CALIPER ASSY (RIGHT)	1				
4	1WD-F5802-00	.PISTON ASSY, CALIPER	1				
5	1WD-F5803-00	..CALIPER SEAL KIT	1				
6	4C9-W0048-00	..BLEED SCREW KIT	1				
7	5YP-F5937-00	..BOOT 2	1				
8	5YP-F5917-00	..BOOT, CALIPER	1				
9	5YP-F5925-01	..CLIP	2				
10	1WD-F5919-00	..SUPPORT, PAD	1				
11	5YP-F5924-00	..PIN, PAD	1				
12	B74-F5805-00	..BRAKE PAD KIT	1				
13	90149-10804	SCREW	2				
14	B74-F3317-00	HOLDER, CABLE	1				

FIG. 25 REAR WHEEL

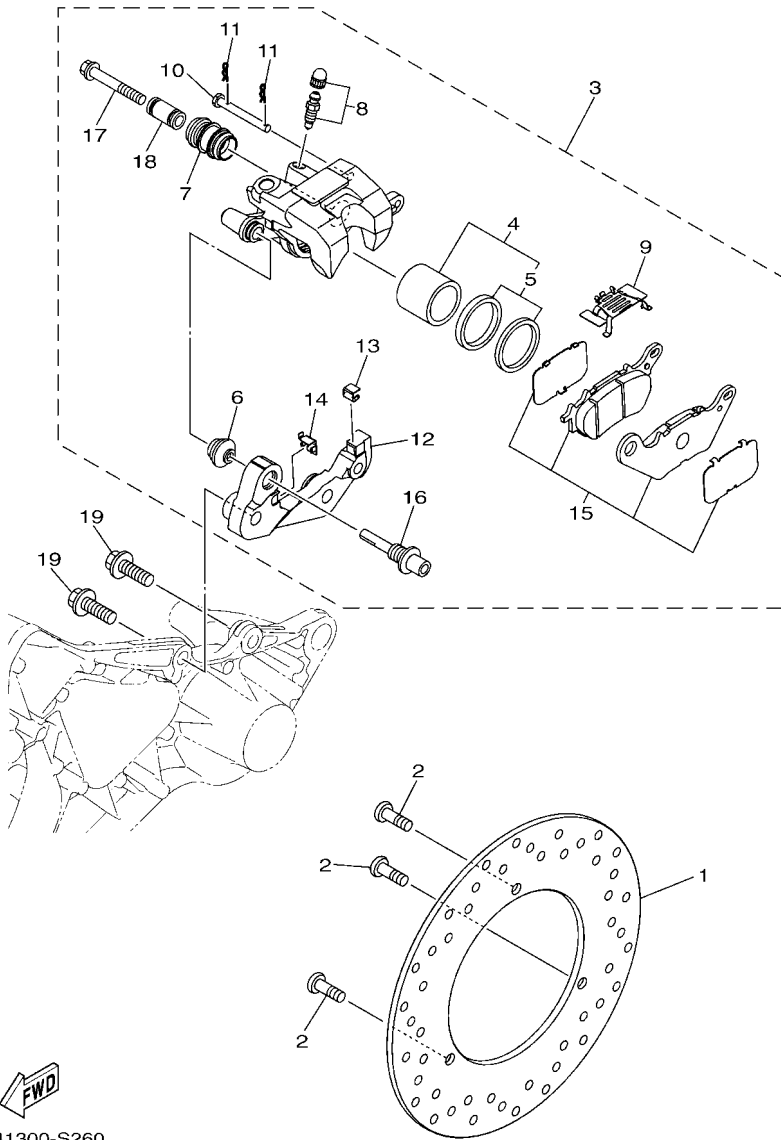


REF. NO.	PART NO.	DESCRIPTION	BJRT				REMARKS
1	B74-F5338-00-P2	CAST WHEEL, REAR	1				DPBM15 FOR MBNM3
	B74-F5338-00-33	CAST WHEEL, REAR	1				YB FOR PGD
2	94114-14803	TIRE (140/70-14 M/C 62P)	1				DUNLOP
3	93900-00828	VALVE, RIM	1				
4	5MT-25398-00	BALANCER, WHEEL (10G)	1				UN
	5MT-25398-10	BALANCER, WHEEL (20G)	1				UN
	5MT-25398-20	BALANCER, WHEEL (30G)	1				UN
5	2DP-F517G-00	ROTOR, SENSOR	1				
6	90149-05029	SCREW	3				



B741300-S250

FIG. 26 REAR BRAKE CALIPER



B741300-S260

REF. NO.	PART NO.	DESCRIPTION	BJRT				REMARKS
1	B74-F582W-00	DISK, REAR BRAKE 2	1				
2	90111-08087	BOLT,HEX. SOCKET BUTTON	3				
3	B74-F580W-00	CALIPER ASSY, REAR 2	1				
4	1WD-F5802-50	.PISTON ASSY, CALIPER	1				
5	1WD-F5803-50	..CALIPER SEAL KIT	1				
6	5YP-F5917-00	.BOOT, CALIPER	1				
7	34X-25937-00	.BOOT 2	1				
8	5YP-W0048-50	.BLEED SCREW KIT	1				
9	B74-F5919-50	.SUPPORT, PAD	1				
10	1WD-F5924-50	.PIN, PAD	1				
11	5YP-F5925-01	.CLIP	2				
12	B74-F5921-50	.BRACKET, SUPPORT	1				
13	1WD-F5939-51	.CLIP, PAD	1				
14	1WD-F5939-61	.CLIP, PAD	1				
15	B74-F5806-00	.BRAKE PAD KIT 2	1				
16	1WD-F5914-50	.PIN, SLIDE	1				
17	5KN-25926-01	.BOLT	1				
18	5TL-F5838-00	.SLEEVE, CALIPER	1				
19	95817-10030	BOLT, FLANGE	2				

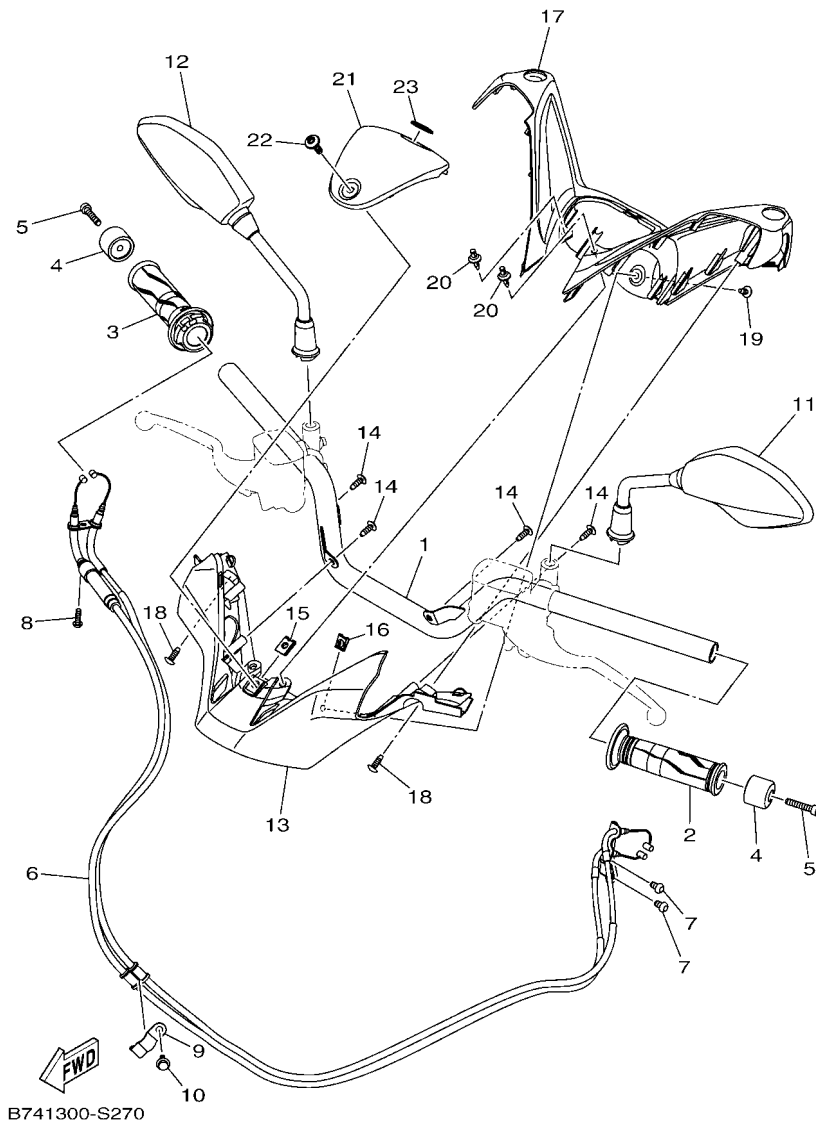
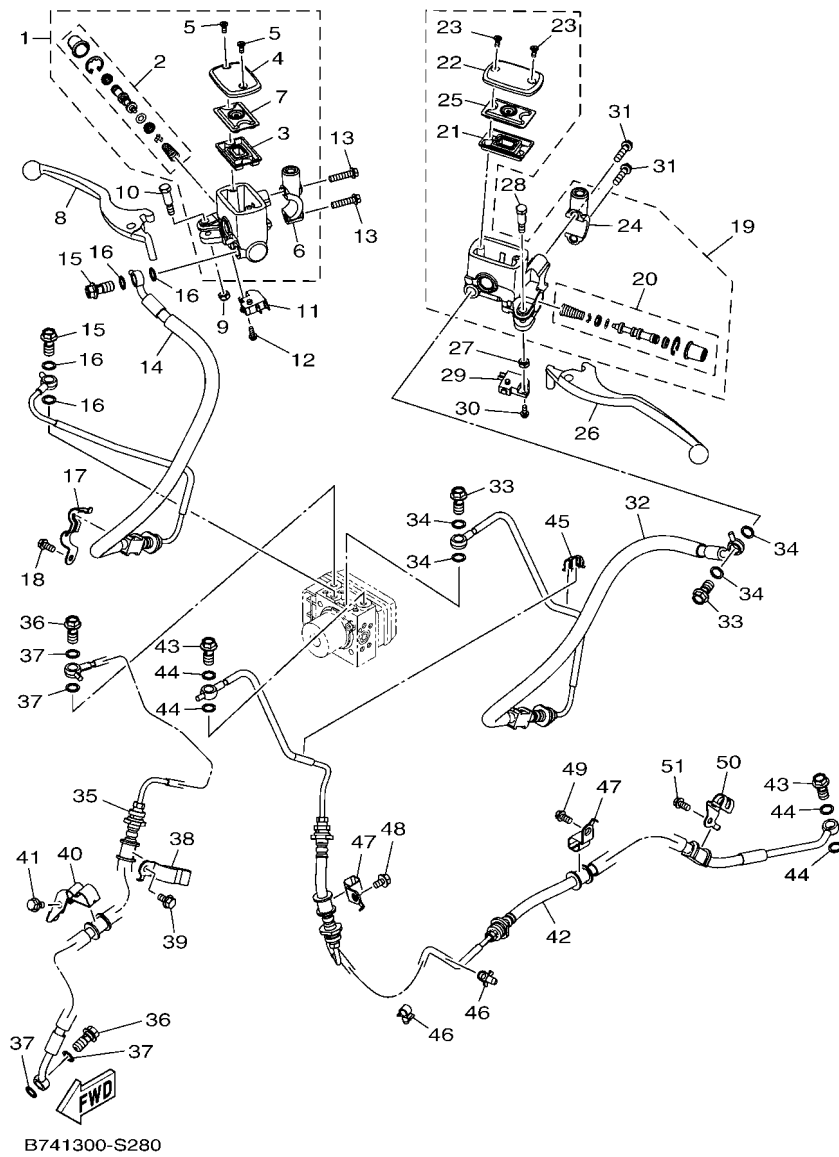


FIG. 27 STEERING HANDLE & CABLE

REF. NO.	PART NO.	DESCRIPTION	BJRT				REMARKS
1	B74-F6110-00	HANDLE COMP.	1				
2	2DP-F6241-00	GRIP	1				
3	2DP-F6240-00	GRIP ASSY	1				
4	1PA-F6246-10	END, GRIP	2				
5	91317-06030	BOLT,HEX.SOCKET HEAD	2				
6	B74-F6301-00	THROTTLE CABLE ASSY	1				
7	92012-06010	BOLT, BUTTON HEAD	2				
8	92017-05016	BOLT, BUTTON HEAD	1				
9	B74-F637G-00	HOLDER, WIRE	1				
10	95E32-06012	BOLT, FLANGE DEEP RECESS	1				
11	B74-F6280-00	REAR VIEW MIRROR ASSY (LEFT)	1				
12	B74-F6290-00	REAR VIEW MIRROR ASSY (RIGHT)	1				
13	B74-F6144-00	COVER, HANDLEBAR LOWER 1	1				
14	97702-50016	SCREW,TAPPING	4				
15	90183-06818	NUT, SPRING	1				
16	90183-05807	NUT, SPRING	1				
17	B74-F6213-00	COVER, UPPER	1				
18	90167-05076	SCREW, TAPPING	2				
19	90160-05808	SCREW, ROUND TAPPING	1				
20	90269-06816	RIVET	2				
21	B74-F6145-00-P0	COVER, HANDLE UPPER 2	1				MBL2
22	90149-06104	SCREW	1				
23	B74-F836B-00	TUNING FORK MARK	1				

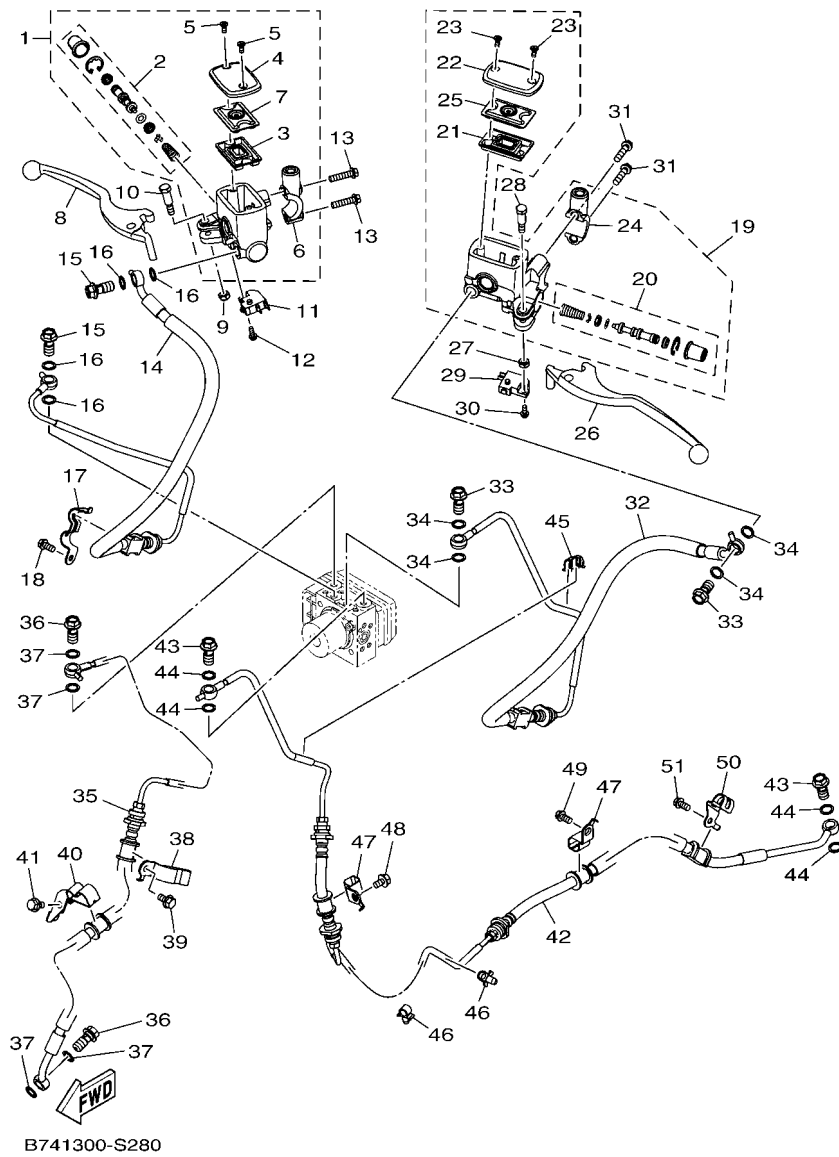
FIG. 28 FRONT MASTER CYLINDER



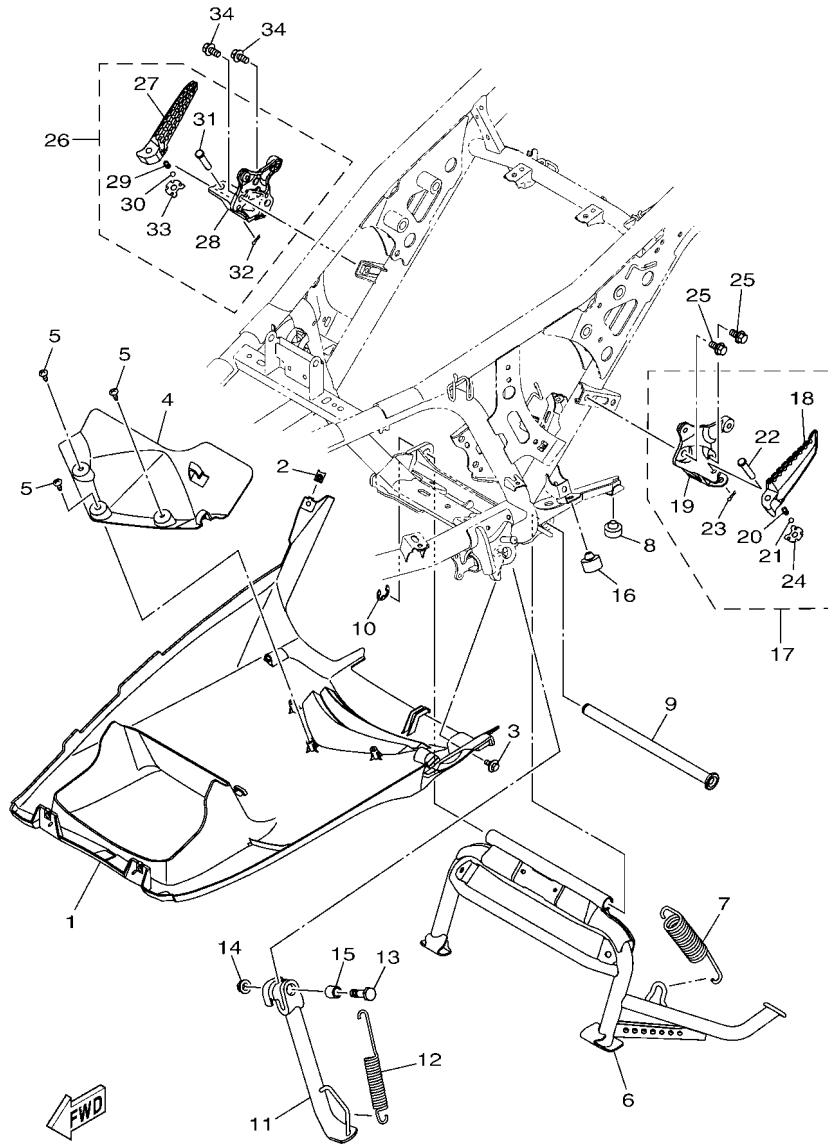
B741300-S280

REF. NO.	PART NO.	DESCRIPTION	BJRT				REMARKS
1	B74-F5870-10	MASTER CYLINDER SUB ASSY	1				
2	B74-F5807-00	.CYLINDER KIT, MASTER	1				
3	5RB-25854-00	.DIAPHRAGM, RESERVOIR	1				
4	1WD-F5852-00	.CAP, RESERVOIR	1				
5	36Y-2589H-00	.SCREW	2				
6	B74-F5867-00	.BRACKET, MASTER CYLINDER	1				
7	3C1-F5855-00	.BUSH,DIAPHRAGM	1				
8	B74-H3922-00	LEVER 2	1				
9	95602-06100	NUT, SELF-LOCKING	1				
10	90109-06577	BOLT	1				
11	2DP-H3980-01	FRONT STOP SWITCH ASSY	1				
12	97602-04212	SCREW, PAN HEAD WITH WASHER	1				
13	95E37-06025	BOLT, FLANGE DEEP RECESS	2				
14	B74-F5872-00	HOSE, BRAKE 1	1				
15	90401-10812	BOLT, UNION	2				
16	90201-10118	WASHER, PLATE	4				
17	B74-F5886-00	HOLDER, BRAKE HOSE	1				
18	95E32-06012	BOLT, FLANGE DEEP RECESS	1				
19	B74-F5870-00	MASTER CYLINDER SUB ASSY	1				
20	B74-F5807-00	.CYLINDER KIT, MASTER	1				
21	5RB-25854-00	.DIAPHRAGM, RESERVOIR	1				
22	1WD-F5852-00	.CAP, RESERVOIR	1				
23	36Y-2589H-00	.SCREW	2				
24	B74-F5867-00	.BRACKET, MASTER CYLINDER	1				
25	3C1-F5855-00	.BUSH,DIAPHRAGM	1				
26	B74-H3912-00	LEVER 1	1				
27	95602-06100	NUT, SELF-LOCKING	1				

FIG. 28 FRONT MASTER CYLINDER



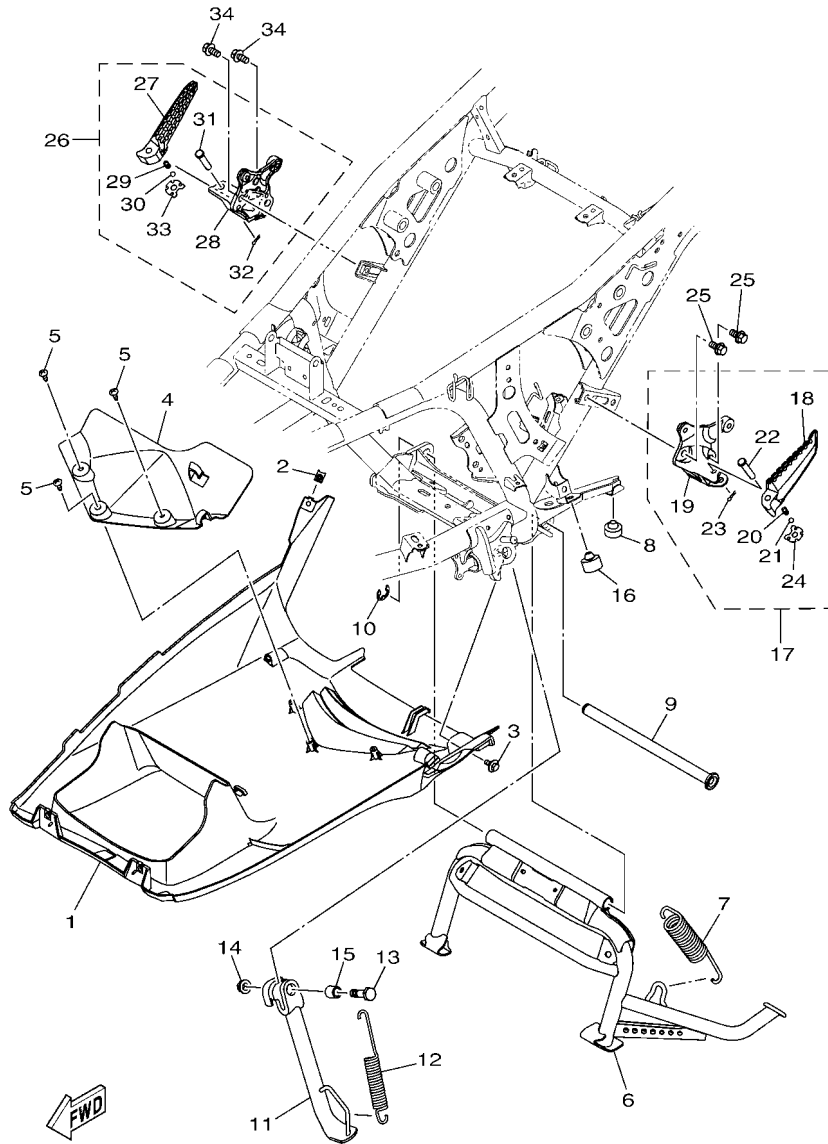
REF. NO.	PART NO.	DESCRIPTION	BJRT				REMARKS
28	90109-06577	BOLT	1				
29	2DP-H2530-01	STOP SWITCH ASSY	1				
30	97602-04212	SCREW, PAN HEAD WITH WASHER	1				
31	95E37-06025	BOLT, FLANGE DEEP RECESS	2				
32	B74-F5873-00	HOSE, BRAKE 2	1				
33	90401-10812	BOLT, UNION	2				
34	90201-10118	WASHER, PLATE	4				
35	B74-F5874-00	HOSE, BRAKE 3	1				
36	90401-10812	BOLT, UNION	2				
37	90201-10118	WASHER, PLATE	4				
38	B74-F5875-00	HOLDER, BRAKE HOSE 1	1				
39	95D07-06012	BOLT, FLANGE DEEP RECESS	1				
40	B74-F5887-00	HOLDER, BRAKE HOSE 3	1				
41	95D07-06012	BOLT, FLANGE DEEP RECESS	1				
42	B74-F581J-00	HOSE, BRAKE 4	1				
43	90401-10812	BOLT, UNION	2				
44	90201-10118	WASHER, PLATE	4				
45	90464-06008	CLAMP	1				
46	90464-07805	CLAMP	2				
47	B74-F5876-00	HOLDER, BRAKE HOSE 2	2				
48	90105-06057	BOLT, FLANGE	1				
49	95D02-06012	BOLT, FLANGE DEEP RECESS	1				
50	B74-F587A-00	HOLDER, BRAKE HOSE 4	1				
51	95D07-06012	BOLT, FLANGE DEEP RECESS	1				



B741300-S290

FIG. 29 STAND & FOOTREST

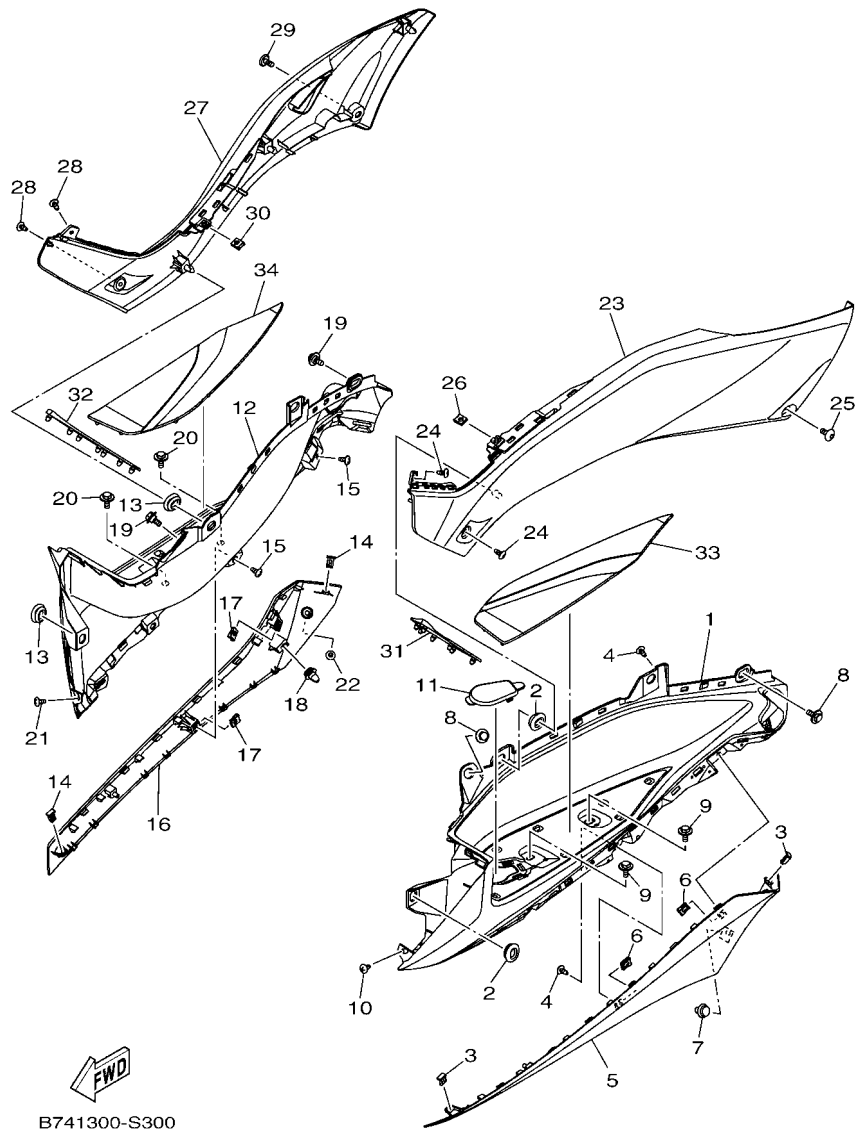
REF. NO.	PART NO.	DESCRIPTION	BJRT				REMARKS
1	B74-F8385-01	COVER, UNDER	1				
2	90183-05807	NUT, SPRING	1				
3	90109-068B5	BOLT	1				
4	B74-F838N-00	DUCT 1	1				
5	97702-50016	SCREW, TAPPING	3				
6	B74-F7111-00	STAND, MAIN	1				
7	90506-40807	SPRING, TENSION	1				
8	45P-F7114-00	STOPPER, MAIN STAND	1				
9	B74-F7261-10	SHAFT	1				
10	93430-12831	CIRCLIP	1				
11	B74-F7311-00	STAND, SIDE	1				
12	90506-32814	SPRING, TENSION	1				
13	90101-10830	BOLT	1				
14	95602-10200	NUT, S/L FLANGE	1				
15	90387-10849	COLLAR	1				
16	4YY-F7114-00	STOPPER, MAIN STAND	1				
17	B74-F7430-00	REAR FOOTREST ASSY 1	1				
18	2DP-F7431-01	.FOOTREST, REAR 1	1				
19	B74-F741L-00	.BRACKET 4	1				
20	90501-12743	.SPRING, COMPRESSION	1				
21	93501-04830	.BALL	1				
22	91702-08038	.PIN, CLEVIS	1				
23	91402-25015	.PIN, COTTER	1				
24	B74-F7437-00	.WASHER, SPECIAL	1				
25	95812-08016	BOLT, FLANGE	2				
26	B74-F7440-00	REAR FOOTREST ASSY 2	1				
27	2DP-F7441-01	.FOOTREST, REAR 2	1				



B741300-S290

FIG. 29 STAND & FOOTREST

REF. NO.	PART NO.	DESCRIPTION	BJRT				REMARKS
28	B74-F742L-00	.BRACKET 5	1				
29	90501-12743	.SPRING, COMPRESSION	1				
30	93501-04830	.BALL	1				
31	91702-08038	.PIN, CLEVIS	1				
32	91402-25015	.PIN, COTTER	1				
33	B74-F7437-00	.WASHER, SPECIAL	1				
34	95812-08016	BOLT, FLANGE	2				

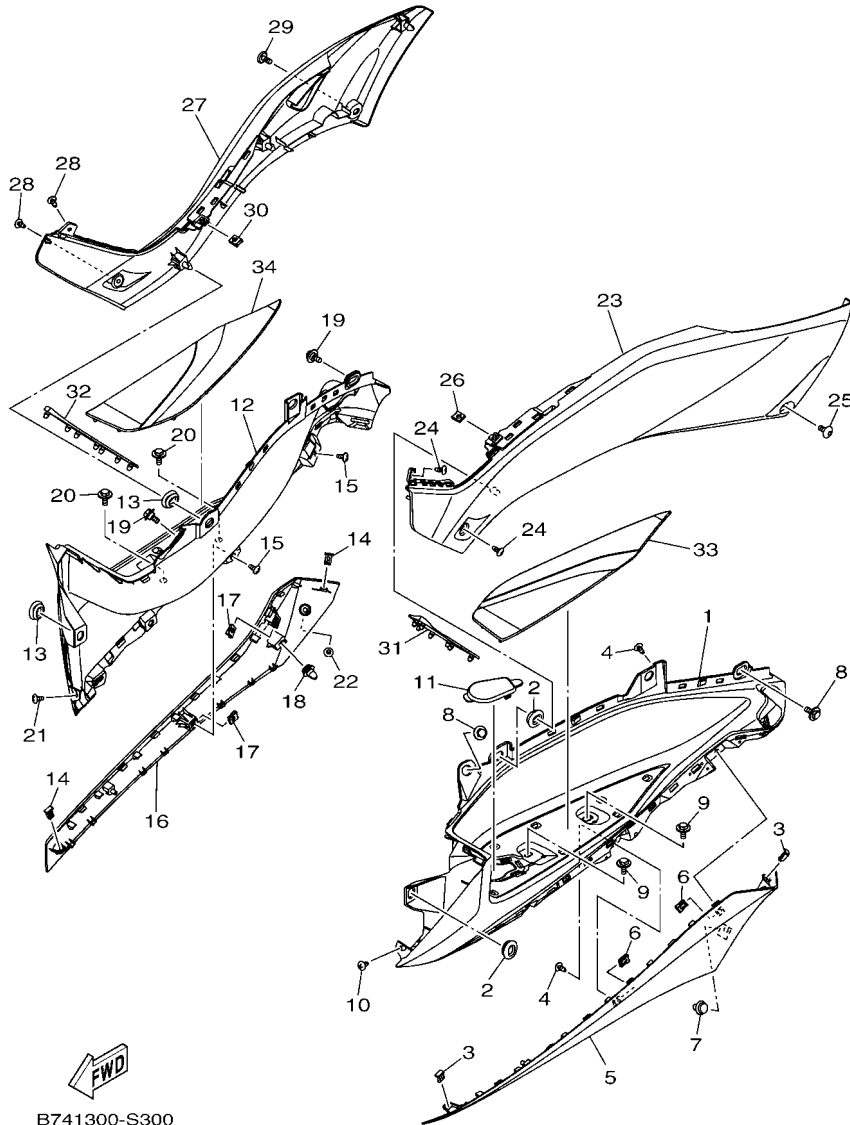


B741300-S300

FIG. 30 STAND & FOOTREST 2

REF. NO.	PART NO.	DESCRIPTION	BJRT	REMARKS
1	B74-F7481-00	BOARD, FOOTREST	1	
2	90480-01559	GROMMET	2	
3	90464-04004	CLAMP	2	
4	97702-50012	SCREW, TAPPING	2	
5	B74-F171L-00-PC	MOLE, SIDE COVER 1	1	UR FOR MBNM3
	B74-F171L-00-3E	MOLE, SIDE COVER 1	1	UR FOR PGD
6	90183-05807	NUT, SPRING	2	
7	90269-09005	RIVET	1	
8	90109-068B5	BOLT	2	
9	90119-06051	BOLT, WITH WASHER	2	
10	97702-50012	SCREW, TAPPING	1	
11	2DP-F172W-00	COVER	1	
12	B74-F7488-00	BOARD, FOOTREST 2	1	
13	90480-01559	GROMMET	2	
14	90464-04004	CLAMP	2	
15	97702-50012	SCREW, TAPPING	2	
16	B74-F171M-00-PC	MOLE, SIDE COVER 2	1	UR FOR MBNM3
	B74-F171M-00-3E	MOLE, SIDE COVER 2	1	UR FOR PGD
17	90183-05807	NUT, SPRING	2	
18	90269-09005	RIVET	1	
19	90109-068B5	BOLT	2	
20	90119-06051	BOLT, WITH WASHER	2	
21	97702-50012	SCREW, TAPPING	1	
22	90160-05808	SCREW, ROUND TAPPING	1	
23	B74-F1711-00-P0	COVER, SIDE 1	1	UR MBL2 FOR MBNM3
	B74-F1711-00-P3	COVER, SIDE 1	1	UR SM12 FOR PGD
24	90160-05808	SCREW, ROUND TAPPING	2	

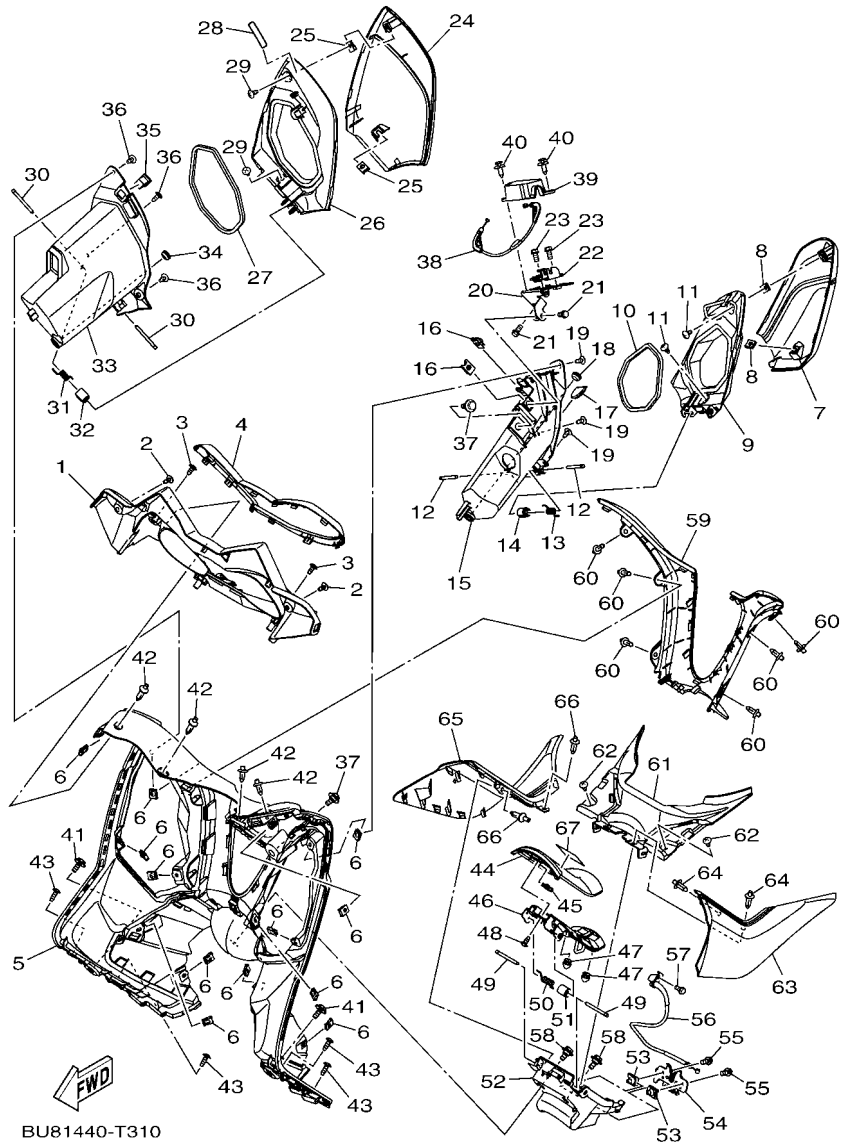
FIG. 30 STAND & FOOTREST 2



B741300-S300

REF. NO.	PART NO.	DESCRIPTION	BJRT				REMARKS
25	90111-06839	BOLT,HEX. SOCKET BUTTON	1				
26	90183-05807	NUT, SPRING	1				
27	B74-F1721-00-P0	COVER, SIDE 2	1				UR MBL2 FOR MBNM3
	B74-F1721-00-P3	COVER, SIDE 2	1				UR SM12 FOR PGD
28	90160-05808	SCREW, ROUND TAPPING	2				
29	90111-06839	BOLT,HEX. SOCKET BUTTON	1				
30	90183-05807	NUT, SPRING	1				
31	B74-F7483-00	MAT 1	1				
32	B74-F7484-00	MAT 2	1				
33	B74-F7493-00	MAT 3	1				
34	B74-F7494-00	MAT 4	1				

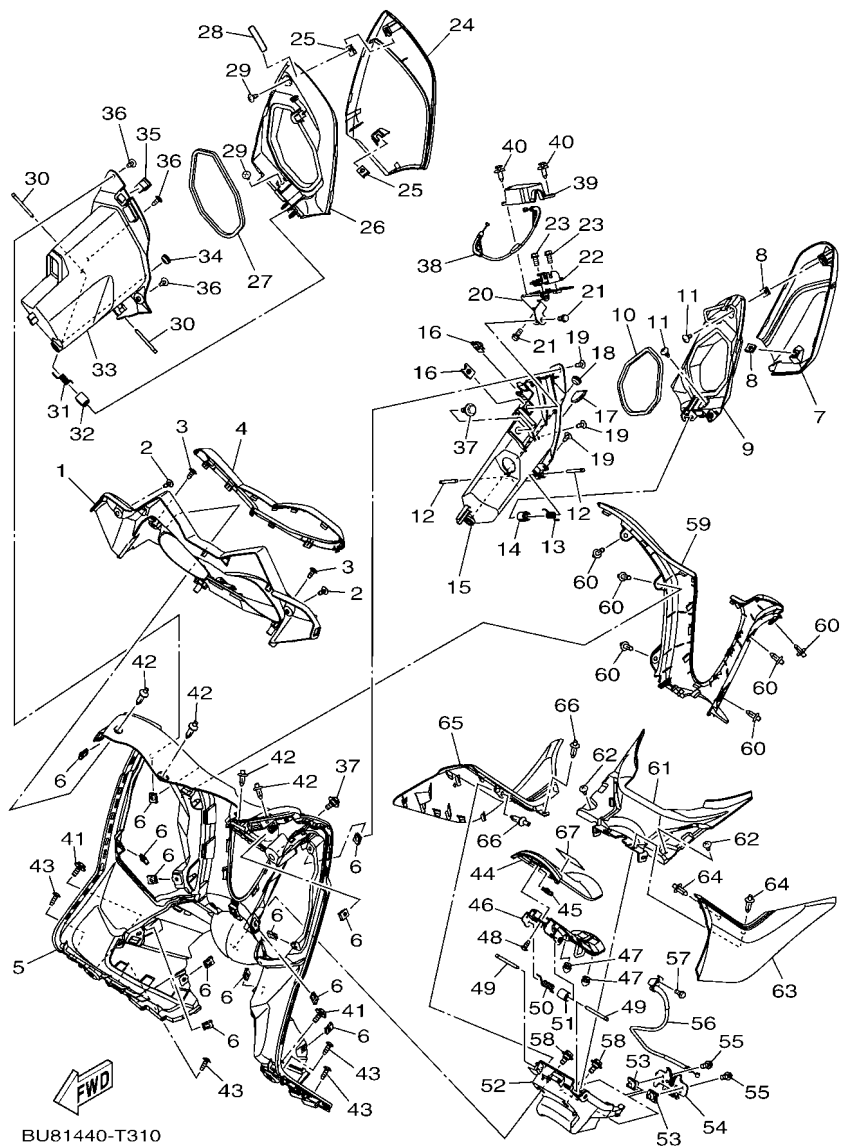
FIG. 31 LEG SHIELD



BU81440-T310

REF. NO.	PART NO.	DESCRIPTION	BJRT	REMARKS
1	B74-F836K-00	PANEL, INNER 1	1	
2	90160-05808	SCREW, ROUND TAPPING	2	
3	97702-50012	SCREW, TAPPING	2	
4	B74-F8346-00-P0	MOLE 2	1	MBL2
5	B74-F8311-00	LEG SHIELD 1	1	
<hr/>				
6	90183-05807	NUT, SPRING	12	
7	B74-F836L-00	PANEL, INNER 2	1	
8	90183-05807	NUT, SPRING	2	
9	B74-F839L-01	LID 2	1	
10	90520-06808	DAMPER, PLATE	1	
<hr/>				
11	97707-50012	SCREW, TRUSS HEAD TAPPING	2	
12	B74-F818A-00	PIN	2	
13	90508-13800	SPRING, TORSION	1	
14	B74-F834F-00	DAMPER	1	
15	B74-F838L-01	BOX 2	1	
<hr/>				
16	90183-06818	NUT, SPRING	2	
17	B74-F8349-00	CAP	1	
18	4US-F6199-00	PLUG, BLIND	1	
19	97707-50012	SCREW, TRUSS HEAD TAPPING	3	
20	B74-F8357-00	STAY 2	1	
<hr/>				
21	95E32-06012	BOLT, FLANGE DEEP RECESS	2	
22	1DY-F4780-00	SEAT LOCK ASSY	1	
23	95E32-06012	BOLT, FLANGE DEEP RECESS	2	
24	B74-F836M-00	PANEL, INNER 3	1	
25	90183-05807	NUT, SPRING	2	
<hr/>				
26	B74-F839V-01	LID 3	1	
27	90520-06808	DAMPER, PLATE	1	

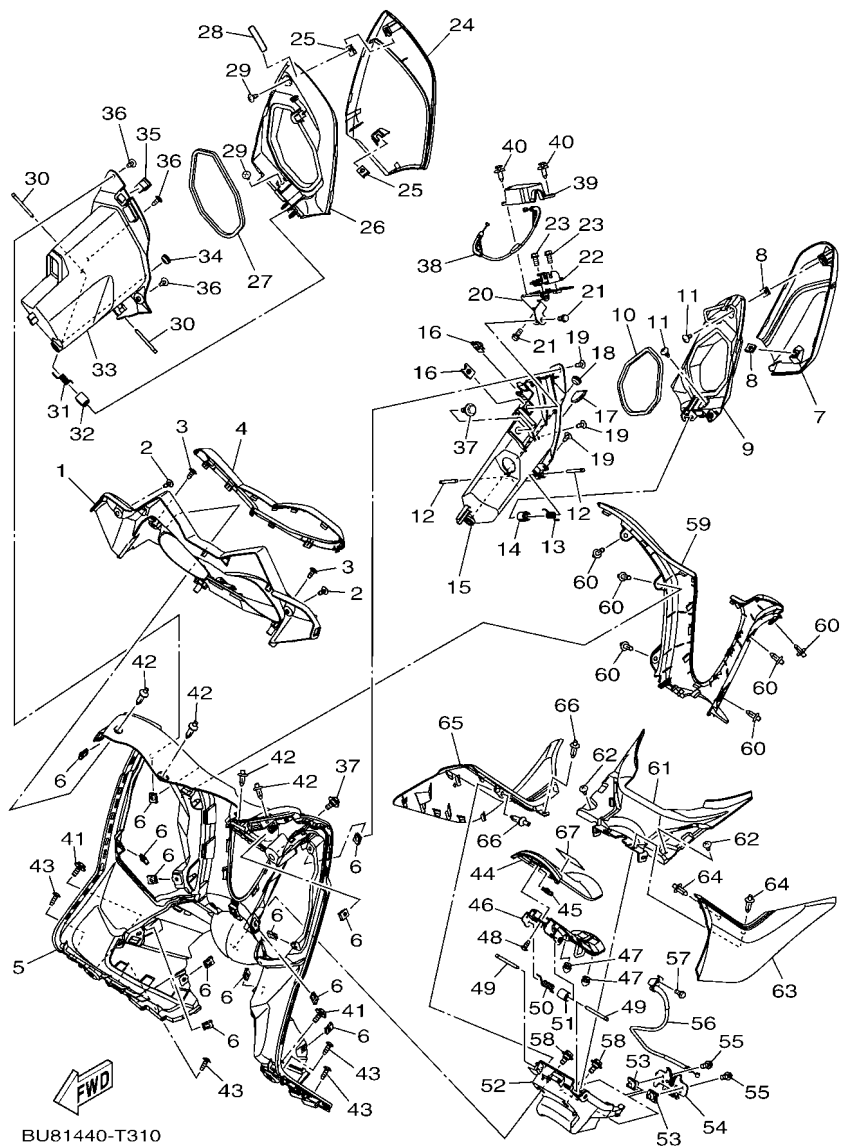
FIG. 31 LEG SHIELD



BU81440-T310

REF. NO.	PART NO.	DESCRIPTION	BJRT	REMARKS
28	B74-F8336-00	PLATE	1	
29	97707-50012	SCREW, TRUSS HEAD TAPPING	2	
30	B74-F818A-00	PIN	2	
31	90508-13801	SPRING, TORSION	1	
32	B74-F834F-00	DAMPER	1	
33	B74-F838V-01	BOX 3	1	
34	4US-F6199-00	PLUG, BLIND	1	
35	90464-13801	CLAMP	1	
36	97707-50012	SCREW, TRUSS HEAD TAPPING	3	
37	90109-068B5	BOLT	2	
38	B74-F835X-00	WIRE	1	
39	B74-F8365-01	COVER	1	
40	90269-06812	RIVET	2	
41	90119-06051	BOLT, WITH WASHER	2	
42	90269-06816	RIVET	4	
43	97702-50016	SCREW, TAPPING	4	
44	B74-F74A8-00-P0	LID, FUEL	1	MBL2
45	90183-05807	NUT, SPRING	1	
46	B74-F839W-01	LID 4	1	
47	90338-07018	PLUG	2	
48	97702-50012	SCREW, TAPPING	1	
49	B74-F818A-00	PIN	2	
50	90508-14803	SPRING, TORSION	1	
51	B74-F834F-00	DAMPER	1	
52	B74-F838W-00	BOX 4	1	
53	90183-06818	NUT, SPRING	2	
54	1DY-F4780-00	SEAT LOCK ASSY	1	

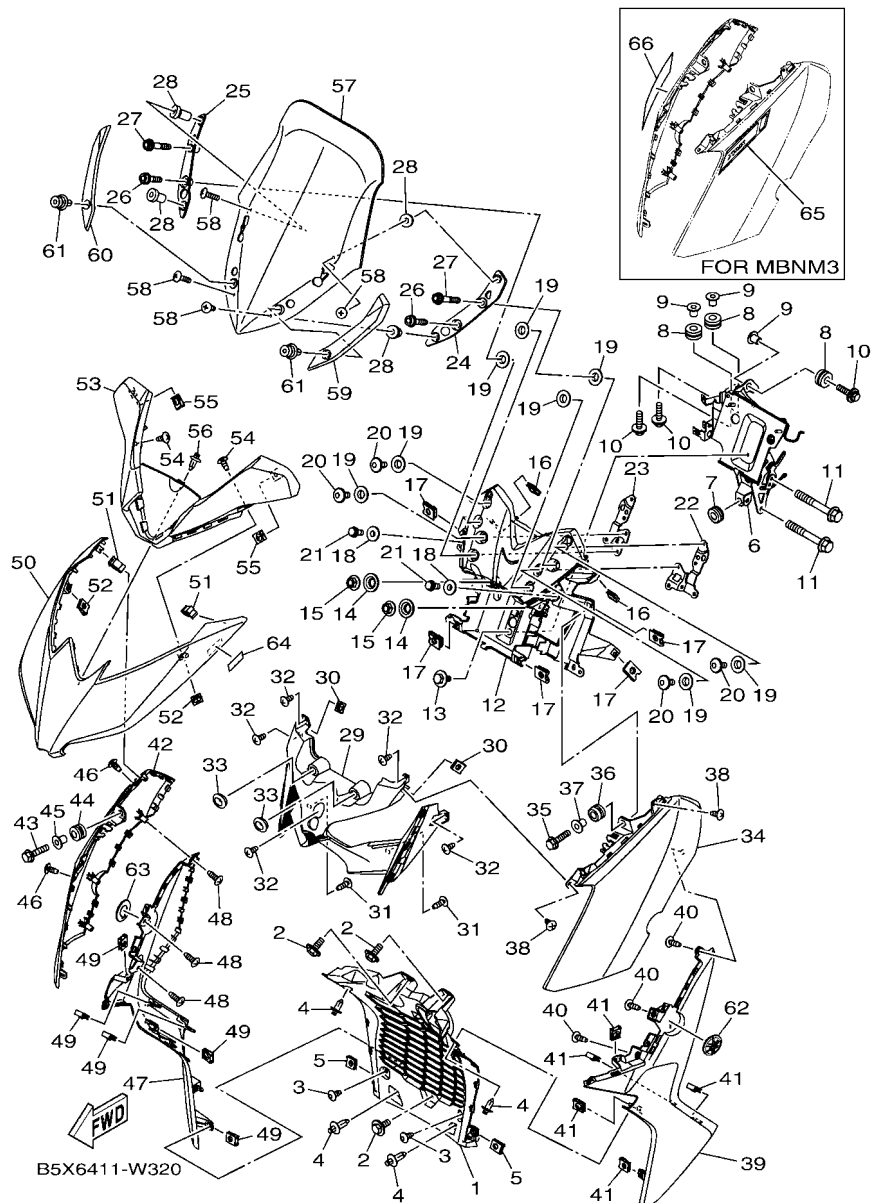
FIG. 31 LEG SHIELD



BU81440-T310

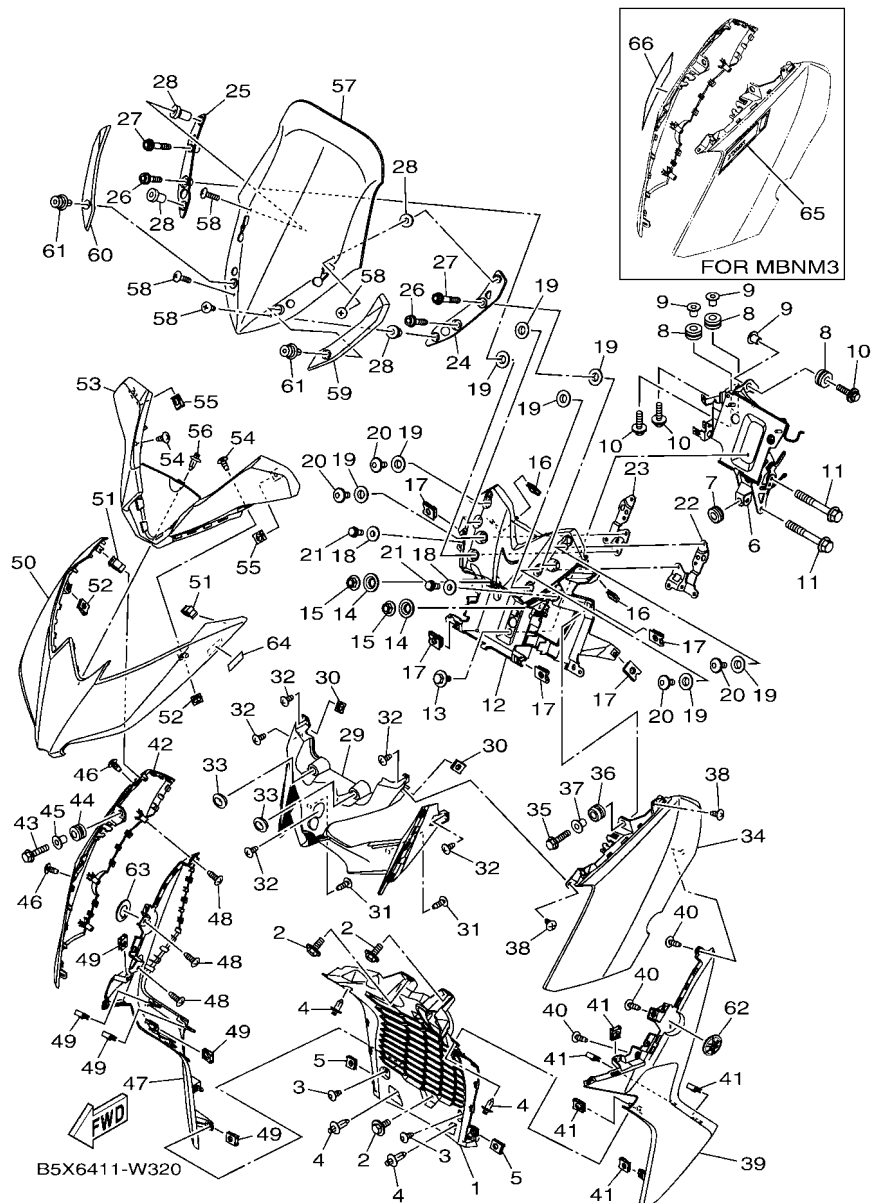
REF. NO.	PART NO.	DESCRIPTION	BJRT	REMARKS
55	95E32-06012	BOLT, FLANGE DEEP RECESS	2	
56	B74-F4494-00	WIRE, PULL	1	
57	97527-05512	BOLT, WITH WASHER	1	
58	90109-068B5	BOLT	2	
59	B74-F8312-00-P0	LEG SHIELD 2	1	MBL2
<hr/>				
60	90269-06816	RIVET	6	
61	B74-F842M-00	COVER 1	1	
62	97702-50012	SCREW, TAPPING	2	
63	B74-F837L-00	PANEL, CONSOLE 1	1	
64	90269-06816	RIVET	2	
<hr/>				
65	B74-F837M-00	PANEL, CONSOLE 2	1	
66	90269-06816	RIVET	2	
67	BU8-F1568-00	LABEL, WARNING	1	
<hr/>				
<hr/>				
<hr/>				
<hr/>				

FIG. 32 WINDSHIELD



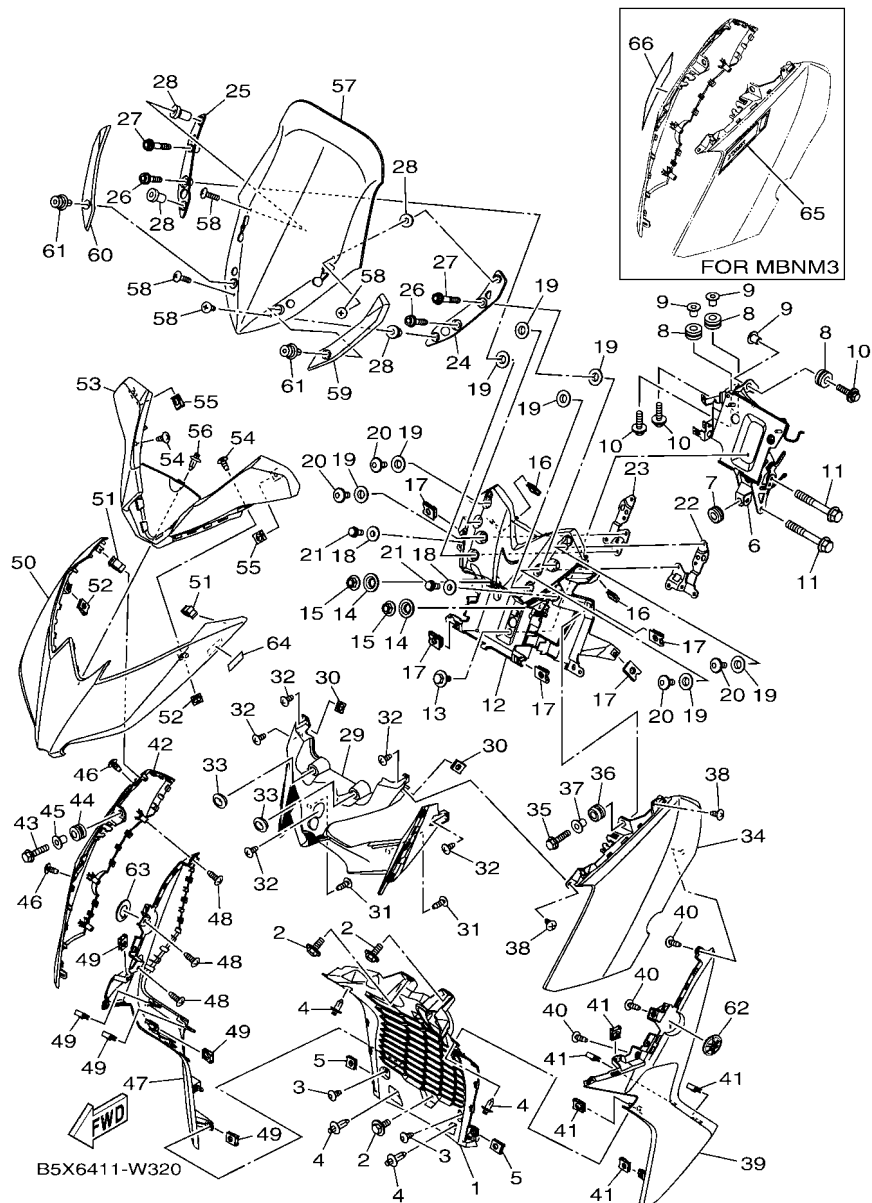
REF. NO.	PART NO.	DESCRIPTION	BJRT				REMARKS
1	B74-F837N-00	GRILL, AIR INTAKE 1	1				
2	90119-06051	BOLT, WITH WASHER	3				
3	90160-05808	SCREW, ROUND TAPPING	2				
4	90269-06816	RIVET	4				
5	90183-05807	NUT, SPRING	2				
6	B74-F8321-10	STAY 1	1				
7	90480-10289	GROMMET	1				
8	90480-14229	GROMMET	3				
9	90387-068N8	COLLAR	3				
10	90119-06268	BOLT, WITH WASHER	3				
11	95812-08055	BOLT, FLANGE	2				
12	B74-H212B-00	BOX, BATTERY 1	1				
13	90109-068B5	BOLT	1				
14	90387-09805	COLLAR	2				
15	90179-06841	NUT	2				
16	90183-05807	NUT, SPRING	2				
17	90183-06818	NUT, SPRING	5				
18	90387-06048	COLLAR	2				
19	90387-09808	COLLAR	8				
20	90111-06839	BOLT, HEX. SOCKET BUTTON	4				
21	95E32-06012	BOLT, FLANGE DEEP RECESS	2				
22	B74-F8306-00	PLATE, WINDSHIELD	1				
23	B74-F835P-00	PLATE, WINDSHIELD 2	1				
24	B74-F8322-00	STAY 2	1				
25	B74-F8332-00	STAY, LEG SHIELD	1				
26	90110-06380	BOLT, HEXAGON SOCKET HEAD	2				
27	90109-06009	BOLT	2				

FIG. 32 WINDSHIELD



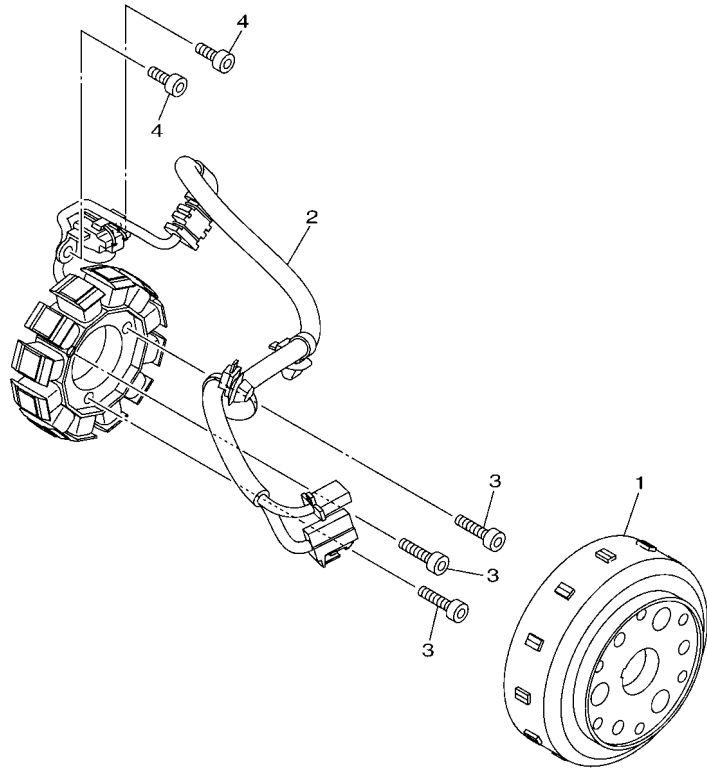
REF. NO.	PART NO.	DESCRIPTION	BJRT	REMARKS
28	90179-05003	NUT	4	
29	B74-F286F-00	COVER, FRONT 2	1	
30	90183-05807	NUT, SPRING	2	
31	97702-50016	SCREW, TAPPING	2	
32	97702-50012	SCREW, TAPPING	5	
<hr/>				
33	90480-01558	GROMMET	2	
34	B74-F8351-00-PC	BODY, COWLING	1	UR FOR MBNM3
	B74-F8351-00-3E	BODY, COWLING	1	UR FOR PGD
35	95D02-06025	BOLT, FLANGE DEEP RECESS	1	
36	90480-14023	GROMMET	1	
<hr/>				
37	90387-06158	COLLAR	1	
38	97702-50012	SCREW, TAPPING	2	
39	B74-F835J-00-P0	BODY, FRONT UNDER 1	1	UR MBL2 FOR MBNM3
	B74-F835J-00-P2	BODY, FRONT UNDER 1	1	UR SM12 FOR PGD
40	97702-50016	SCREW, TAPPING	3	
<hr/>				
41	90183-05807	NUT, SPRING	5	
42	B74-F8377-00-PC	BODY, COWLING 2	1	UR FOR MBNM3
	B74-F8377-00-3E	BODY, COWLING 2	1	UR FOR PGD
43	95D02-06025	BOLT, FLANGE DEEP RECESS	1	
44	90480-14023	GROMMET	1	
<hr/>				
45	90387-06158	COLLAR	1	
46	97702-50012	SCREW, TAPPING	2	
47	B74-F835K-00-P0	BODY, FRONT UNDER 2	1	UR MBL2 FOR MBNM3
	B74-F835K-00-P2	BODY, FRONT UNDER 2	1	UR SM12 FOR PGD
48	97702-50016	SCREW, TAPPING	3	
<hr/>				
49	90183-05807	NUT, SPRING	5	
50	B74-F2865-00-P2	COVER, FRONT	1	UR FOR MBNM3

FIG. 32 WINDSHIELD



REF. NO.	PART NO.	DESCRIPTION	BJRT			REMARKS
50	B74-F2865-00-3E	COVER, FRONT	1			UR FOR PGD
51	90464-07018	CLAMP	2			
52	90183-05807	NUT, SPRING	2			
53	B74-H2129-00	COVER, BATTERY	1			
54	97702-50012	SCREW, TAPPING	2			
55	90183-05807	NUT, SPRING	2			
56	90269-06816	RIVET	1			
57	B74-F837U-00	SCREEN	1			
58	90154-05011	SCREW, BINDING	4			
59	B74-F842A-00	COVER 5	1			
60	B74-F843C-00	COVER 6	1			
61	90269-08007	RIVET	2			
62	B74-F414B-00	EMBLEM	1			
63	B74-F414B-00	EMBLEM	1			
64	B92-F1737-00	EMBLEM	1			
65	BG6-F8391-00	GRAPHIC 1	1			FOR MBNM3
66	BG6-F8392-00	GRAPHIC 2	1			FOR MBNM3

FIG. 33 GENERATOR

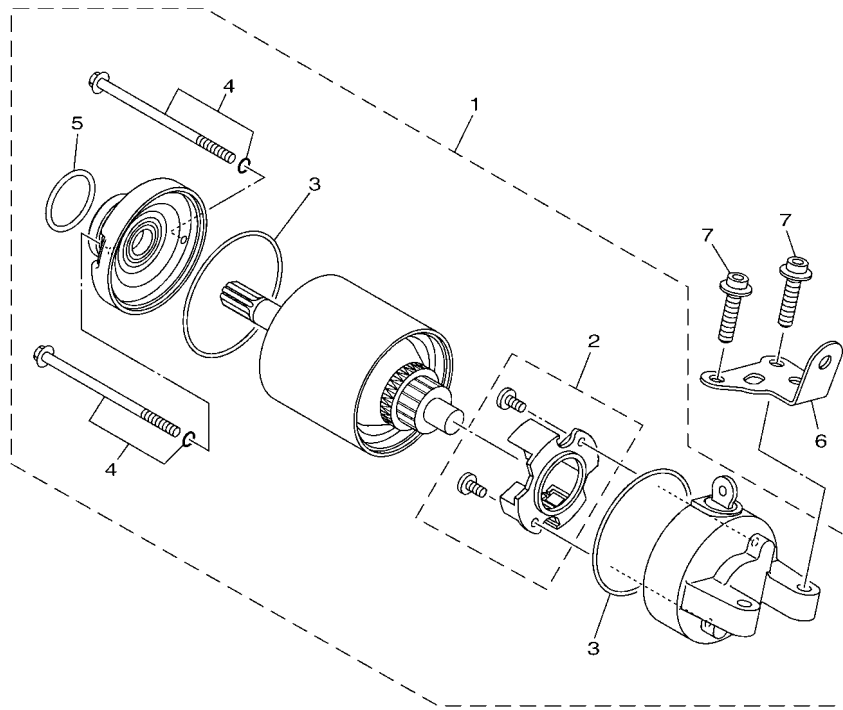


REF. NO.	PART NO.	DESCRIPTION	BJRT				REMARKS
1	B74-H1450-00	ROTOR ASSY	1				
2	B74-H1410-00	STATOR ASSY	1				
3	90110-06178	BOLT, HEXAGON SOCKET HEAD	3				
4	90110-06161	BOLT, HEXAGON SOCKET HEAD	2				


 B741300-S330

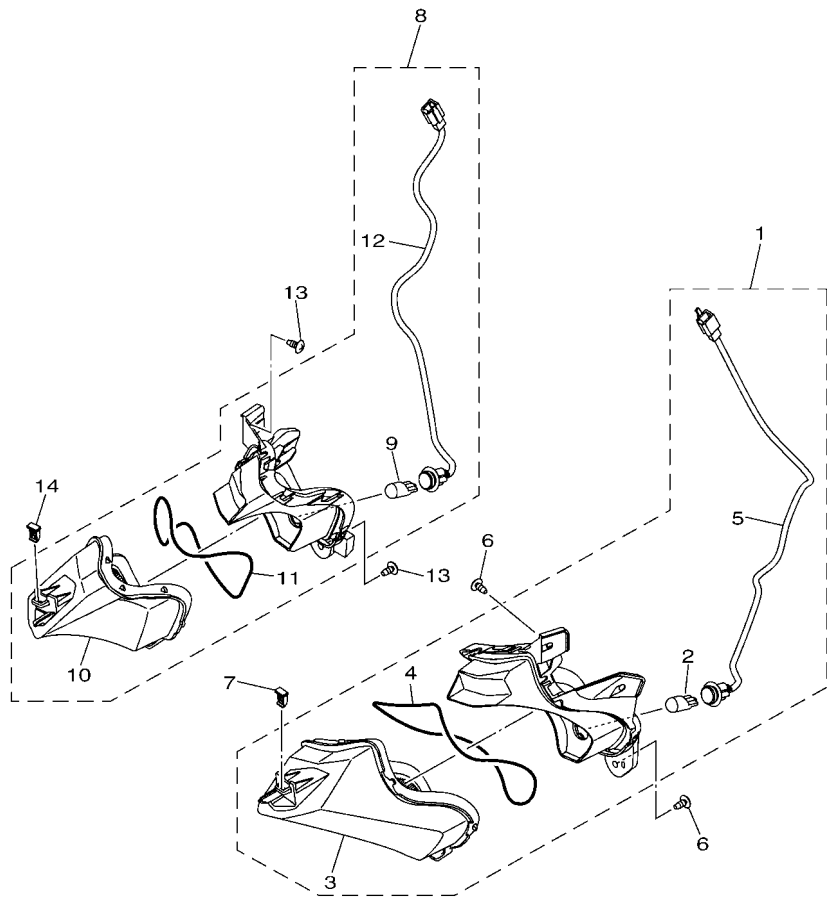
FIG. 34 STARTING MOTOR

REF. NO.	PART NO.	DESCRIPTION	BJRT					REMARKS
1	B74-H1890-00	MOTOR ASSY	1					
2	B74-H1801-00	.BRUSH SET	1					
3	1WD-H1861-00	.GASKET	2					
4	1WD-H1828-00	.BOLT 2	2					
5	4FP-H182L-00	.O-RING 1	1					
6	B74-H1948-00	BRACKET	1					
7	90110-06172	BOLT, HEXAGON SOCKET HEAD	2					



B741300-S340

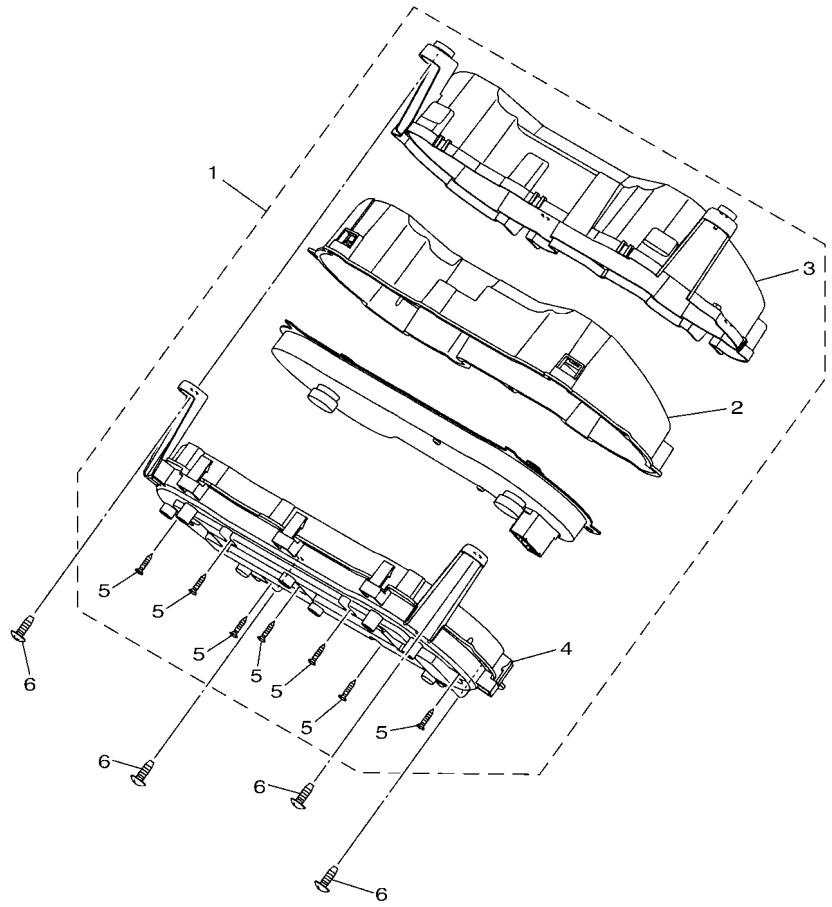
FIG. 35 FLASHER LIGHT



REF. NO.	PART NO.	DESCRIPTION	BJRT				REMARKS
1	B74-H3310-10	FRONT FLASHER LIGHT ASSY 1	1				
2	2CB-H3311-00	.BULB, FLASHER (12V-10W)	1				
3	B74-H3312-10	.LENS, FLASHER	1				
4	B74-H4723-00	.GASKET, TAIL LENS	1				
5	B74-H4140-00	.SOCKET CORD ASSY	1				
6	97702-50012	SCREW, TAPPING	2				
7	90464-04004	CLAMP	1				
8	B74-H3320-10	FRONT FLASHER LIGHT ASSY 2	1				
9	2CB-H3311-00	.BULB, FLASHER (12V-10W)	1				
10	B74-H3322-10	.LENS, FLASHER 2	1				
11	B74-H4723-00	.GASKET, TAIL LENS	1				
12	B74-H4150-00	.SOCKET CORD ASSY 2	1				
13	97702-50012	SCREW, TAPPING	2				
14	90464-04004	CLAMP	1				

 B741300-S350

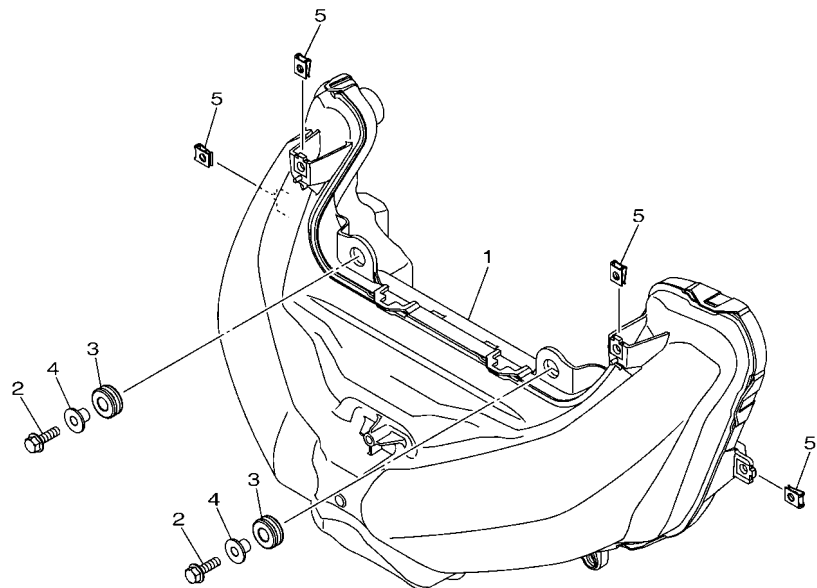
FIG. 36 METER




B741300-S360

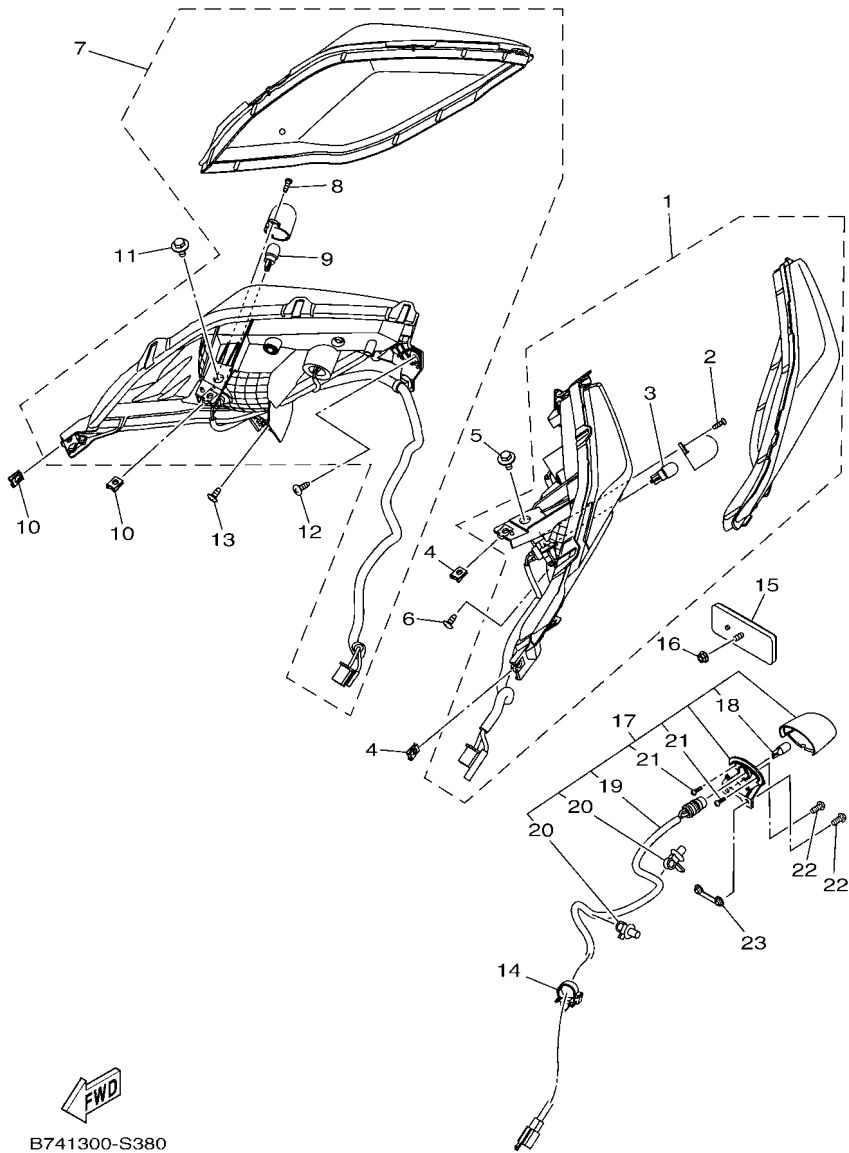
REF. NO.	PART NO.	DESCRIPTION	BJRT				REMARKS
1	B74-H3500-30	METER ASSY	1				
2	B74-H353L-00	.CASE, SPEEDOMETER	1				
3	B74-H3511-00	.LENS, SPEEDOMETER	1				
4	B74-H3572-00	.CASE, SPEEDOMETER LOWER	1				
5	97702-30016	.SCREW,TAPPING	7				
6	97702-50016	SCREW,TAPPING	4				

FIG. 37 HEADLIGHT



REF. NO.	PART NO.	DESCRIPTION	BJRT				REMARKS
1	B5X-H4300-00	HEADLIGHT ASSY	1				
2	95D02-06020	BOLT, FLANGE DEEP RECESS	2				
3	90480-10289	GROMMET	2				
4	90387-06899	COLLAR	2				
5	90183-05807	NUT, SPRING	4				


B741300-S370

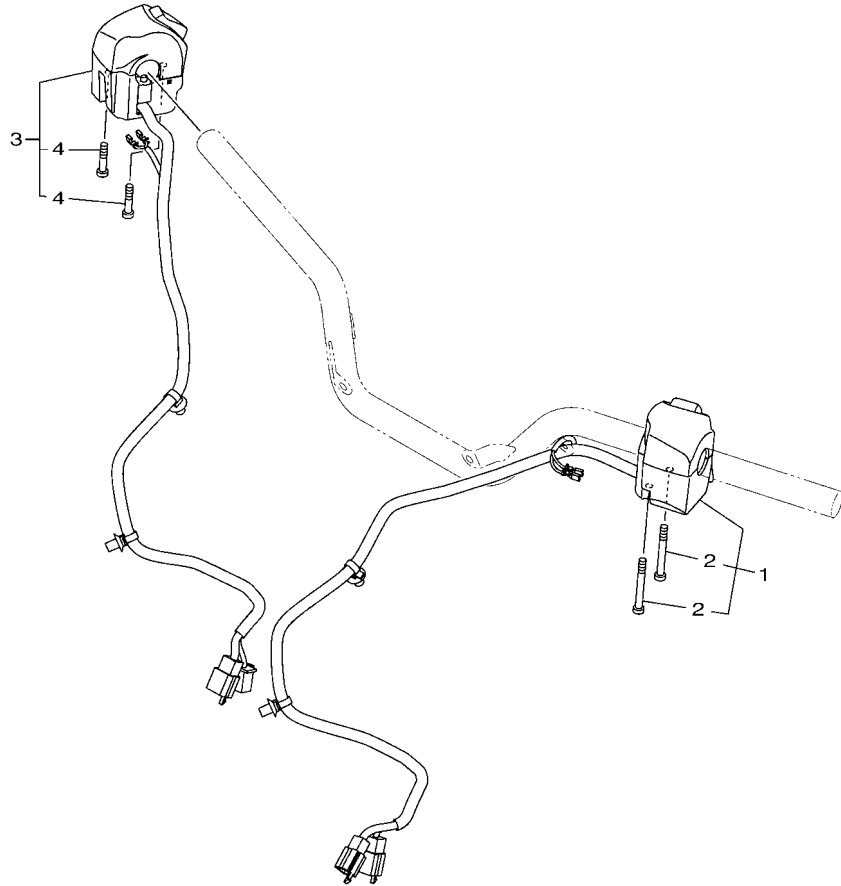


B741300-S380

FIG. 38 TAILLIGHT

REF. NO.	PART NO.	DESCRIPTION	BJRT				REMARKS
1	B74-H4710-00	TAILLIGHT UNIT ASSY	1				
2	97702-40612	.SCREW, TAPPING	1				
3	1YT-83311-00	.BULB(12V-10W)	1				
4	90183-05807	NUT, SPRING	2				
5	90109-068B5	BOLT	1				
6	97702-50012	SCREW, TAPPING	1				
7	B74-H4730-00	TAILLIGHT UNIT ASSY	1				
8	97702-40612	.SCREW, TAPPING	1				
9	1YT-83311-00	.BULB(12V-10W)	1				
10	90183-05807	NUT, SPRING	2				
11	90109-068B5	BOLT	1				
12	97702-50016	SCREW, TAPPING	1				
13	97702-50012	SCREW, TAPPING	1				
14	90464-16006	CLAMP	1				
15	3C1-H5130-00	REAR REFLECTOR ASSY	1				
16	95702-05500	NUT, FLANGE	1				
17	B74-H4740-10	LICENSE LIGHT ASSY	1				
18	1WD-H4744-00	.BULB (12V-5W)	1				
19	B74-H4547-00	.CORD, LICENSE LIGHT	1				
20	B74-H454J-00	.CLAMP, CORD	2				
21	1WD-H4726-00	.SCREW	2				
22	92017-05012	BOLT, BUTTON HEAD	2				
23	B74-H4748-00	NUT, SPECIAL	1				

FIG. 39 HANDLE SWITCH & LEVER

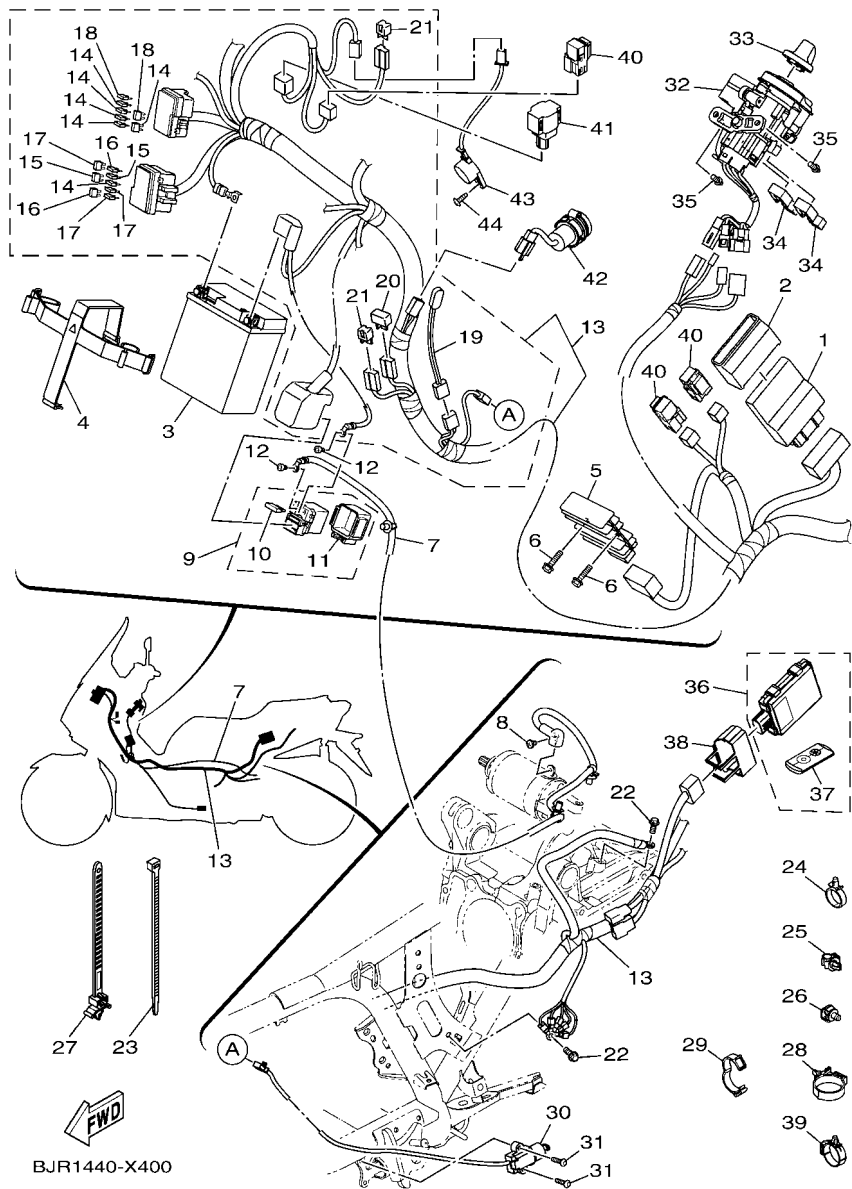


REF. NO.	PART NO.	DESCRIPTION	BJRT				REMARKS
1	B74-H3963-00	SWITCH, HANDLE 3	1				
2	98507-05040	.SCREW, PAN HEAD	2				
3	B74-H3973-10	SWITCH, HANDLE 3	1				
4	98507-05025	.SCREW, PAN HEAD	2				



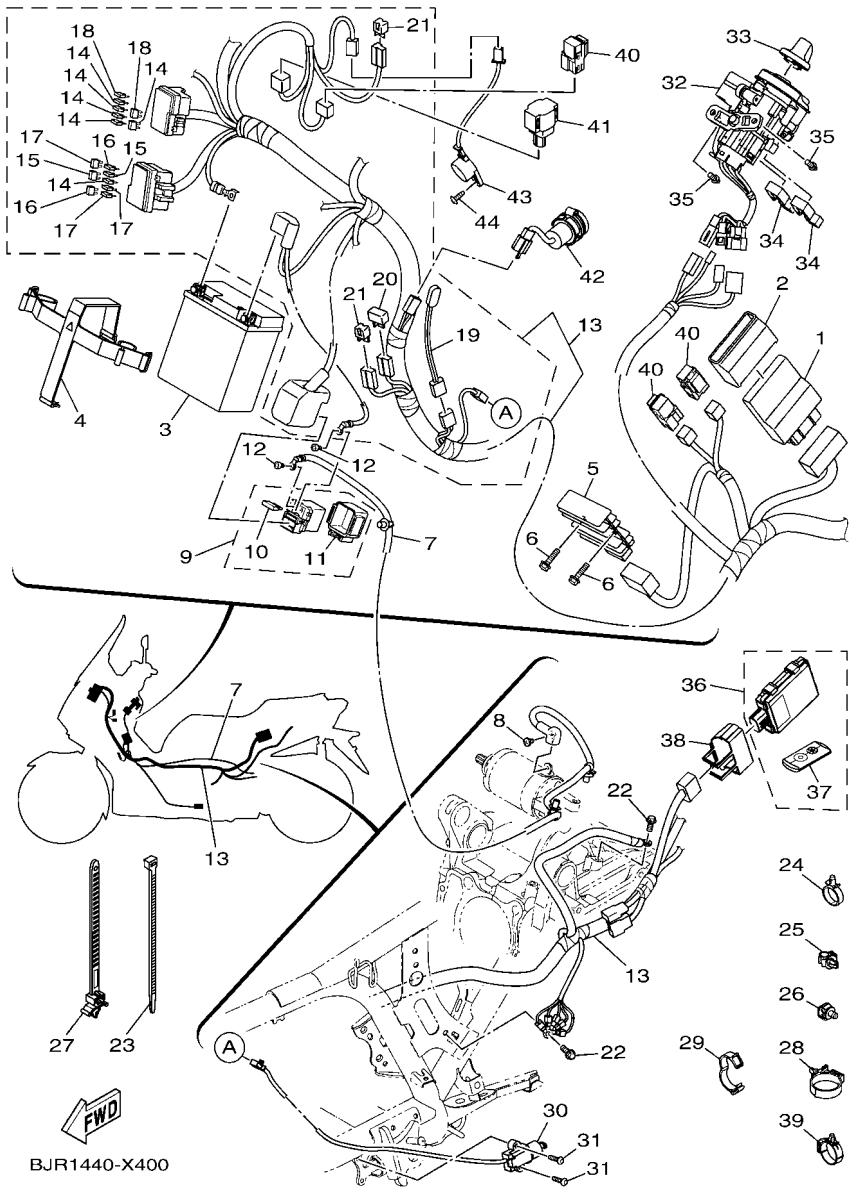
B741300-S390

FIG. 40 ELECTRICAL 1



BJR1440-X400

REF. NO.	PART NO.	DESCRIPTION	BJR1			REMARKS
1	BG6-H591A-21	ENGINE CONTROL UNIT ASSY	1			
2	B74-H2591-00	BAND	1			
3	2YD-H2100-00	BATTERY ASSY (GS GTZ8V)	1			
4	B74-H2131-00	BAND, BATTERY	1			
5	2GS-H1960-01	RECTIFIER & REGULATOR ASSY	1			
6	95D32-06025	BOLT, FLANGE DEEP RECESS	2			
7	B74-H1815-02	CORD, STARTER MOTOR	1			
8	90149-05018	SCREW	1			
9	B74-H1940-00	STARTER RELAY ASSY	1			
10	B74-H2151-A1	.FUSE (20A)	1			
11	1WD-H2155-00	.BAND	1			
12	91312-05008	BOLT, HEXAGON SOCKET HEAD	2			
13	B74-H2590-13	WIRE HARNESS ASSY	1			
14	B65-H2151-00	.FUSE (7.5A)	6			
15	B65-H2151-10	.FUSE (15A)	2			
16	B65-H2151-60	.FUSE (30A)	2			
17	B65-H2151-80	.FUSE (2A)	3			
18	1LB-H2151-00	.FUSE (10A)	2			
19	1SD-H5700-00	.THERMISTOR ASSY	1			
20	4WA-81980-00	.DIODE ASSY	1			
21	3WP-81980-00	.DIODE ASSY	2			
22	95E32-06012	BOLT, FLANGE DEEP RECESS	2			
23	90464-36800	CLAMP	1			
24	90464-24230	CLAMP	1			
25	90464-10008	CLAMP	1			
26	90464-12018	CLAMP	1			
27	90464-10112	CLAMP	1			(160X8.00)

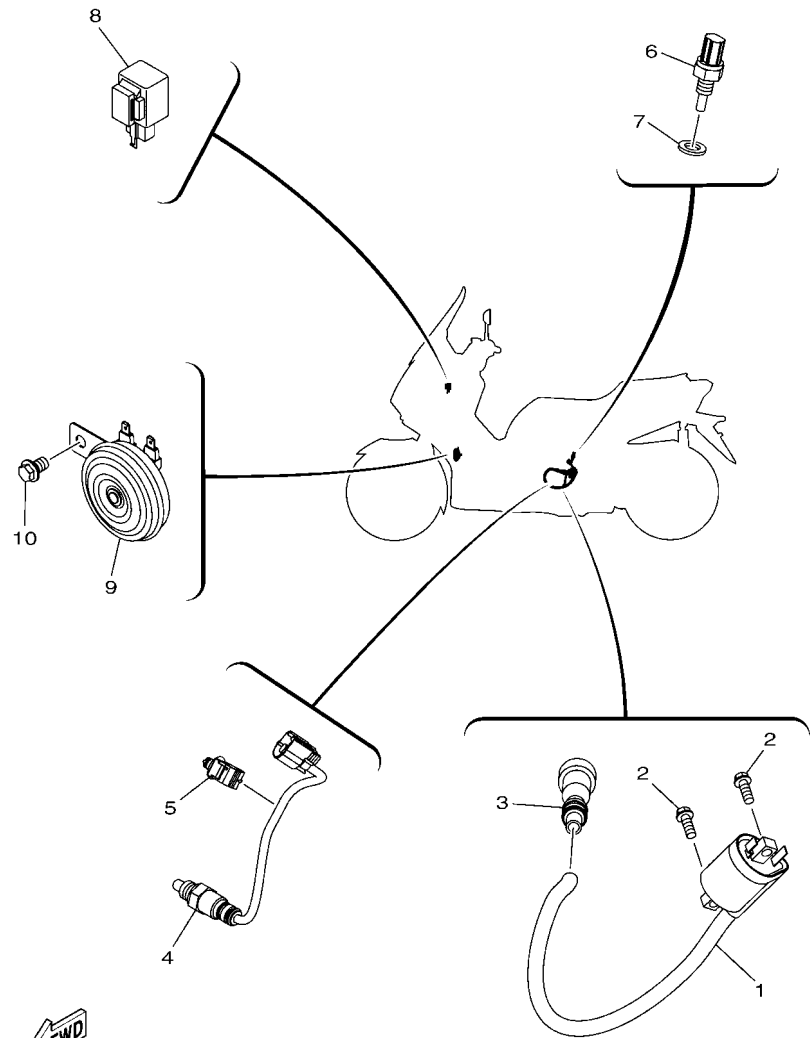


BJR1440-X400

FIG. 40 ELECTRICAL 1

REF. NO.	PART NO.	DESCRIPTION	BJR1				REMARKS
28	90464-36006	CLAMP	1				
29	90464-16003	CLAMP	1				
30	B74-H2566-00	SWITCH, SIDE STAND	1				
31	90111-05810	BOLT,HEX. SOCKET BUTTON	2				
32	B74-H2501-12	MAIN SWITCH STEERING LOCK	1				
33	B74-H276E-10	KNOB COMP.	1				
34	90464-09806	CLAMP	2				
35	90109-068D5	BOLT	2				
36	B5X-H6260-03	REMOTE CONTROL UNIT ASSY	1				
37	B5X-H6261-03	.XMTR. COMP.	1				
38	B65-H5546-00	BAND	1				
39	90464-30001	CLAMP	1				
40	1ST-81950-00	RELAY ASSY (1ST-00)	2				
41	1PA-H2576-00	SENSOR, LEAN ANGLE	1				
42	BB8-H254B-00	TERMINAL COMP.	1				
43	B3F-H3383-00	BUZZER	1				
44	97702-50016	SCREW,TAPPING	1				

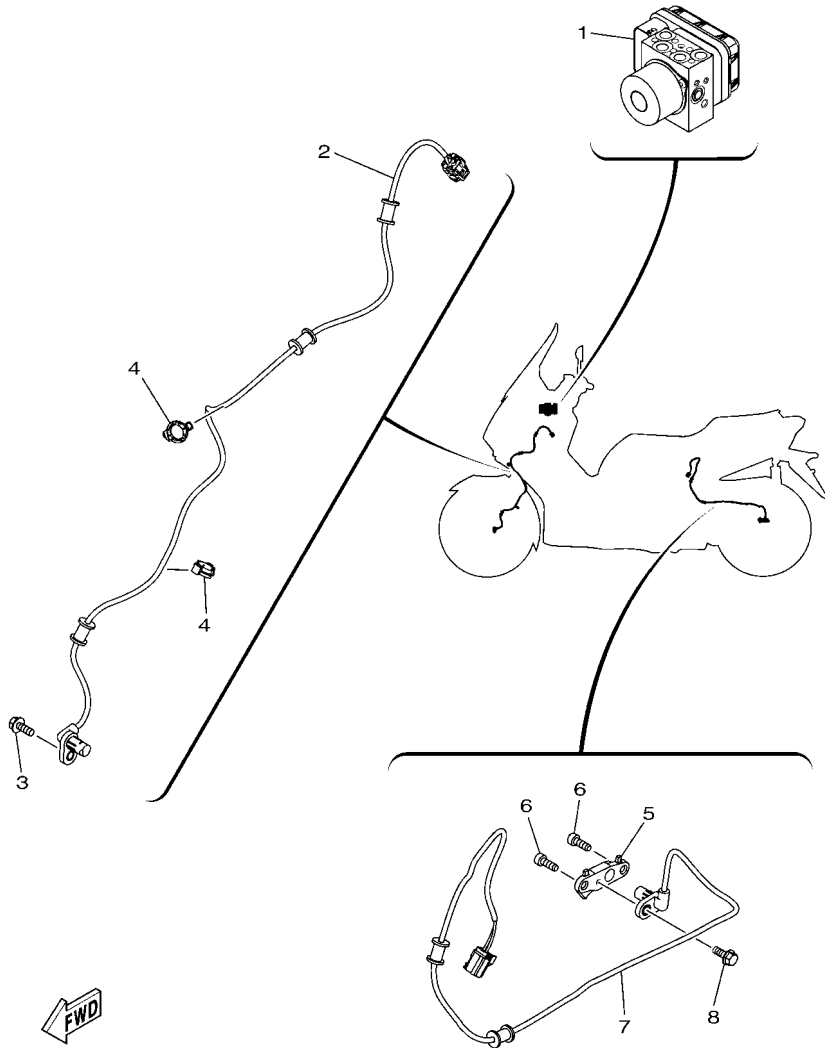
FIG. 41 ELECTRICAL 2



B741300-S410

REF. NO.	PART NO.	DESCRIPTION	BJRT				REMARKS
1	B74-H2310-00	IGNITION COIL ASSY	1				
2	95E32-06016	BOLT, FLANGE DEEP RECESS	2				
3	B74-H2370-00	PLUG CAP ASSY	1				
4	B74-H592A-10	SENSOR, OXYGEN	1				
5	90464-12018	CLAMP	1				
6	54P-H3591-00	THERMO UNIT	1				
7	90430-10806	GASKET	1				
8	4GY-83350-01	FLASHER RELAY ASSY	1				
9	1WD-H3371-00	HORN	1				
10	95E32-08012	BOLT, FLANGE DEEP RECESS	1				

FIG. 42 ELECTRICAL 3



B741300-S420

REF. NO.	PART NO.	DESCRIPTION	BJRT					REMARKS
1	B74-H5930-08	HYDRAULIC UNIT ASSY	1					
2	B74-H5970-01	WHEEL SENSOR ASSY, FRONT	1					
3	95D07-06016	BOLT, FLANGE DEEP RECESS	1					
4	90464-14803	CLAMP	2					
5	B74-H5112-00	BRACKET, REFLECTOR 1	1					
6	91312-06016	BOLT, HEXAGON SOCKET HEAD	2					
7	B74-H5980-01	WHEEL SENSOR ASSY, REAR	1					
8	95D02-06016	BOLT, FLANGE DEEP RECESS	1					

NUMERICAL INDEX

PART NO.	REF. NO.	PART NO.	REF. NO.	PART NO.	REF. NO.	PART NO.	REF. NO.	PART NO.	REF. NO.	PART NO.	REF. NO.
B74-11391-00	1 - 18	B74-1216A-00	3 - 13	1YT-83311-00	38 - 9	B65-E2462-00	6 - 32	B74-E475P-00	9 - 10	B74-E7660-00	13 - 8
B74-11416-00	2 - 9	B74-1216A-20	3 - 13	4GY-83350-01	41 - 8	B74-E2467-01	6 - 36	B74-E476P-00	9 - 11	B74-E7664-00	13 - 12
B74-11416-10	2 - 9	B74-1216A-40	3 - 13	BG6-E1102-00	1 - 1	B74-E2481-00	6 - 21	B74-E477P-00	9 - 12	B74-E7668-00	13 - 22
B74-11416-20	2 - 9	B74-1216A-60	3 - 13	B74-E111F-00	4 - 8	B74-E2482-00	6 - 26	B74-E4799-00	9 - 9	BG6-E7670-00	13 - 9
B74-11416-30	2 - 9	B74-1216A-80	3 - 13	40D-E1126-00	10 - 9	B74-E2483-00	6 - 27	2PV-E5113-00	10 - 19	B74-E7674-00	13 - 6
B74-11416-40	2 - 9	B74-1216A-A0	3 - 13	B74-E112F-00	4 - 6	B74-E2484-00	6 - 33	B74-E5150-01	10 - 1	B74-E7674-10	13 - 13
B74-11416-50	2 - 9	B74-1216A-F0	3 - 13	B74-E1133-10	1 - 2	B74-E2576-00	6 - 4	5D9-E5155-01	10 - 2	B74-E7678-01	13 - 17
B74-11416-A0	2 - 9	B74-1216A-H0	3 - 13	B74-E1166-00	8 - 39	B74-E2591-00	6 - 30	5LW-E5363-00	10 - 24	B74-E7678-10	13 - 19
B74-11417-00	2 - 10	B74-1216A-K0	3 - 13	B74-E1169-00	1 - 11	5ST-E2615-00	6 - 8	5BP-E5363-10	5 - 6	B74-E7683-00	13 - 14
B74-11417-10	2 - 10	B74-1216A-M0	3 - 13	B74-E1181-00	1 - 20	B74-E2662-00	3 - 11	B74-E5372-01	10 - 3	B74-E7684-00	13 - 15
B74-11417-20	2 - 10	B74-1216A-R0	3 - 13	B74-E1185-00	1 - 10	1WD-E2671-00	6 - 11	B74-E5373-00	10 - 10	B74-F1110-01	15 - 1
B74-11417-30	2 - 10	B74-1216A-U0	3 - 13	B74-E1191-00	1 - 9	5ST-E2843-00	6 - 9	B74-E5378-00	10 - 4	B74-F1121-00	22 - 25
B74-11417-40	2 - 10	B74-1216A-W0	3 - 13	B74-E1193-00	1 - 13	B74-E3300-00	7 - 1	B74-E5407-00	11 - 9	B74-F1400-02	15 - 7
B74-11417-50	2 - 10	B74-1216A-Y0	3 - 13	4YS-E1198-00	10 - 21	4ST-E3411-00	7 - 4	B74-E5411-00	11 - 1	B74-F149S-00	15 - 5
B74-11417-A0	2 - 10	31G-12210-01	4 - 16	BG6-E1311-01	1 - 24	1S7-E3440-00	7 - 7	B74-E5417-00	5 - 3	B74-F1511-00	16 - 1
BG6-11650-00	2 - 2	31G-12214-00	4 - 18	B74-E1351-00	1 - 25	B74-E3447-00	7 - 8	B74-E5421-00	10 - 26	B74-F1513-00-3E	16 - 4
2C0-11654-00	2 - 3	31G-12222-00	4 - 17	BG6-E1400-10	2 - 1	BG6-E3585-00	8 - 1	B74-E5431-01	11 - 5	B74-F1513-00-PB	16 - 4
B74-11656-00	2 - 5	B74-12410-00	6 - 1	BG6-E1500-00	2 - 11	BG6-E3595-00	8 - 2	B74-E5451-00	11 - 2	B74-F1514-00-3E	16 - 6
B74-11656-10	2 - 5	52S-12439-00	6 - 2	B74-E1603-10	2 - 15	BG6-E3750-03	8 - 13	B74-E5453-00	10 - 15	B74-F1514-00-PB	16 - 6
B74-11656-20	2 - 5	5GJ-12675-00	6 - 12	BG6-E1631-00	2 - 14	BG6-E3761-00	8 - 6	B74-E5461-00	10 - 27	BU8-F1568-00	31 - 27
B74-11656-30	2 - 5	5RU-13490-00	7 - 5	B74-E1633-00	2 - 16	BG6-E3770-00	8 - 5	B74-F1611-00	11 - 7	B74-F1611-00	16 - 21
B74-12168-00	3 - 13	52S-13938-00	8 - 9	B74-E1998-00	1 - 7	B74-E3907-01	21 - 5	B74-E5474-00	11 - 10	B74-F1621-00	22 - 15
B74-12168-20	3 - 13	B74-15338-00	11 - 14	B74-E1999-00	1 - 14	3C1-E3915-00	21 - 8	2DP-E5481-00	11 - 6	B74-F1651-00	16 - 10
B74-12168-40	3 - 13	5PW-15361-00	5 - 16	B74-E2111-00	3 - 1	B74-E3971-01	21 - 13	B63-E5481-00	11 - 6	B17-F1668-00	22 - 44
B74-12168-60	3 - 13	4HC-23125-20	20 - 5	B74-E2113-00	3 - 4	54P-E4137-00	8 - 10	B74-E5512-00	12 - 1	B74-F1711-00-P0	30 - 23
B74-12168-80	3 - 13		20 - 23	B74-E2117-00	3 - 6	54P-E4147-00	8 - 7	5BP-E5521-00	12 - 2	B74-F1711-00-P3	30 - 23
B74-12168-A0	3 - 13	22W-23146-L0	20 - 6	5TL-E2118-00	3 - 5	5CA-E4147-00	8 - 8	B74-E5524-00	12 - 3	B74-F171E-00-3E	17 - 21
B74-12168-F0	3 - 13		20 - 24	54P-E2119-00	3 - 3	54P-E416A-00	8 - 16	B5X-E5590-00	12 - 4	B74-F171E-00-PB	17 - 21
B74-12168-H0	3 - 13	2N4-23168-00	20 - 18	B74-E2121-00	3 - 2	54P-E4243-00	8 - 15	B74-E5744-00	13 - 18	B74-F171L-00-3E	30 - 5
B74-12168-K0	3 - 13		20 - 36	2PH-E2126-00	3 - 7	B74-E4335-00	8 - 18	B74-E6111-00	14 - 12	B74-F171L-00-PC	30 - 5
B74-12168-M0	3 - 13	3FV-23462-00	20 - 40	B74-E2146-00	3 - 10	BG6-E4411-11	8 - 19	B74-E6151-00	14 - 2	B74-F171M-00-3E	30 - 16
B74-12168-R0	3 - 13	3C1-24512-00	21 - 7	B74-E2151-00	3 - 8	B74-E4412-00	8 - 20	B74-E6611-00	13 - 23	B74-F171M-00-PC	30 - 16
B74-12168-U0	3 - 13	5MT-25398-00	23 - 7	B74-E2157-01	5 - 4	B74-E4417-00	8 - 33	B74-E6620-00	13 - 20	B74-F1721-00-P0	30 - 27
B74-12168-W0	3 - 13		25 - 4	B74-E2161-00	3 - 9	B74-E4435-00	8 - 30	B74-E6626-00	13 - 21	B74-F1721-00-P3	30 - 27
B74-12168-Y0	3 - 13	5MT-25398-10	23 - 7	BG6-E2170-00	4 - 1	B74-E4437-00	8 - 22	B74-E7211-00	14 - 6	B74-F172A-00	16 - 13
B74-12169-10	3 - 13		25 - 4	B74-E2176-00	4 - 4	52B-E443E-00	8 - 27	B74-E7411-10	14 - 1	B74-F172F-00	16 - 17
B74-12169-30	3 - 13	5MT-25398-20	23 - 7	B74-E2213-00	4 - 19	5TP-E443G-10	8 - 31	B74-E7412-00	13 - 29	2DP-F172W-00	30 - 11
B74-12169-50	3 - 13		25 - 4	1DB-E2228-00	4 - 15	B74-E4449-00	8 - 29	B74-E7421-00	14 - 5	B74-F1731-00-3E	17 - 1
B74-12169-70	3 - 13	5RB-25854-00	28 - 3	B74-E2231-00	4 - 11	B74-E4452-00	8 - 24	B74-E7465-00	13 - 10	B74-F1731-00-PB	17 - 1
B74-12169-90	3 - 13		28 - 21	B74-E2233-00	4 - 12	B74-E4462-00	8 - 34	B74-E7465-10	13 - 11	B92-F1737-00	32 - 64
B74-12169-E0	3 - 13	36Y-2589H-00	28 - 5	B74-E2241-00	4 - 14	BG6-E4469-00	8 - 21	B74-E7465-20	13 - 2	B74-F173B-20	17 - 29
B74-12169-G0	3 - 13		28 - 23	B74-E2405-00	6 - 10	B74-E447F-00	8 - 43	B74-E7611-00	13 - 7		17 - 30
B74-12169-J0	3 - 13	5KN-25926-01	26 - 17	B74-E240A-00	6 - 7	B74-E4611-00	9 - 1	B74-E7620-00	13 - 1	BG6-F173E-00	17 - 31
B74-12169-L0	3 - 13	34X-25937-00	26 - 7	B74-E2422-00	5 - 1	1WD-E4613-00	9 - 13	B74-E7623-00	13 - 4	BG6-F173F-00	17 - 32
B74-12169-N0	3 - 13	1ST-81950-00	40 - 40	B74-E2439-00	5 - 2	BG6-E4711-12	9 - 2	B74-E7632-00	13 - 3	B74-F1741-00-3E	17 - 11
B74-12169-T0	3 - 13	3WP-81980-00	40 - 21	B74-E2446-00	6 - 39	54D-E4714-00	9 - 3	B5X-E7641-00	13 - 25	B74-F1741-00-PB	17 - 11
B74-12169-V0	3 - 13	4WA-81980-00	40 - 20	B74-E2450-00	5 - 12	1WD-E4715-00	9 - 4	B74-E7644-00	13 - 16	B74-F1816-00	17 - 27
B74-12169-X0	3 - 13	1YT-83311-00	38 - 3	B74-E2461-00	6 - 13	B74-E4718-00	9 - 6	B74-E7653-00	13 - 5	B74-F1817-01	17 - 28

NUMERICAL INDEX

PART NO.	REF. NO.	PART NO.	REF. NO.	PART NO.	REF. NO.	PART NO.	REF. NO.	PART NO.	REF. NO.	PART NO.	REF. NO.
B74-F1823-00	6 - 22	B74-F3435-00	19 - 6	B74-F4786-00	22 - 4	5YP-F5924-00	24 - 11	B74-F8321-10	32 - 6	4FP-H182L-00	34 - 5
B74-F1871-00	17 - 23	B74-F3441-00	19 - 12	B74-F478E-00	22 - 27	1WD-F5924-50	26 - 10	B74-F8322-00	32 - 24	1WD-H1861-00	34 - 3
1S7-F1875-01	17 - 24	B74-F3442-00	19 - 11	B74-F478G-00	22 - 23	5YP-F5925-01	24 - 9	B74-F8332-00	32 - 25	B74-H1890-00	34 - 1
B74-F2100-00	18 - 1	B74-F3469-00	17 - 10	B74-F479D-00	22 - 39		26 - 11	B74-F8336-00	31 - 28	B74-H1940-00	40 - 9
B74-F2141-00	15 - 8		17 - 20	B74-F5168-00-33	23 - 1	5YP-F5937-00	24 - 7	B74-F8346-00-P0	31 - 4	B74-H1948-00	34 - 6
B74-F2210-10	18 - 11	B74-F4110-01	21 - 1	B74-F5168-00-P2	23 - 1	1WD-F5939-51	26 - 13	B74-F8349-00	31 - 17	2GS-H1960-01	40 - 5
5MX-F2216-00	10 - 8	B74-F4135-00	21 - 20	2DP-F517G-00	23 - 8	1WD-F5939-61	26 - 14	B74-F834F-00	31 - 14	2YD-H2100-00	40 - 3
B74-F2591-00	6 - 24	B74-F414A-00	21 - 17		25 - 5	B74-F6110-00	27 - 1		31 - 32	B74-H2129-00	32 - 53
B74-F2865-00-3E	32 - 50	B74-F414B-00	32 - 62	B74-F5181-00	23 - 11	B74-F6144-00	27 - 13		31 - 51	B74-H212B-00	32 - 12
B74-F2865-00-P2	32 - 50		32 - 63	B74-F5183-00	18 - 8	B74-F6145-00-P0	27 - 21	B74-F8351-00-3E	32 - 34	B74-H2131-00	40 - 4
B74-F286F-00	32 - 29	5D9-F414G-00	21 - 3	B74-F5338-00-33	25 - 1	4US-F6199-00	31 - 18	B74-F8351-00-PC	32 - 34	1LB-H2151-00	40 - 18
BG6-F3102-00	20 - 1	1DW-F4180-02	21 - 19	B74-F5338-00-P2	25 - 1		31 - 34	B74-F8357-00	31 - 20	B65-H2151-00	40 - 14
BG6-F3103-00	20 - 19	B74-F419A-00	21 - 14	1WD-F5802-00	24 - 4	B74-F6213-00	27 - 17	B74-F835J-00-P0	32 - 39	B65-H2151-10	40 - 15
BG6-F3107-00	20 - 3	B74-F4313-00	21 - 18	1WD-F5802-50	26 - 4	2DP-F6240-00	27 - 3	B74-F835J-00-P2	32 - 39	B65-H2151-60	40 - 16
		BG6-F4314-00	21 - 21	1WD-F5803-00	24 - 5	2DP-F6241-00	27 - 2	B74-F835K-00-P0	32 - 47	B65-H2151-80	40 - 17
		B74-F4425-00	21 - 11	1WD-F5803-50	26 - 5	1PA-F6246-10	27 - 4	B74-F835K-00-P2	32 - 47	B74-H2151-A1	40 - 10
5BP-F3111-10	20 - 17	3C1-F4486-00	21 - 10	B74-F5805-00	24 - 12	B74-F6280-00	27 - 11	B74-F835P-00	32 - 23	1WD-H2155-00	40 - 11
	20 - 35	B74-F4494-00	31 - 56	B74-F5806-00	26 - 15	B74-F6290-00	27 - 12	B74-F835X-00	31 - 38	B74-H2310-00	41 - 1
2JK-F3114-00	20 - 16	3C1-F4519-00	21 - 6	B74-F5807-00	28 - 2	B74-F6301-00	27 - 6	B74-F8365-01	31 - 39	B74-H2370-00	41 - 3
	20 - 34	B74-F4610-00	21 - 16		28 - 20	B74-F637G-00	27 - 9	B74-F836B-00	27 - 23	B74-H2501-12	40 - 32
B74-F3118-00	20 - 15	B74-F4639-00	22 - 22	B74-F580U-00	24 - 3	B74-F7111-00	29 - 6	B74-F836K-00	31 - 1	B74-H251P-00	15 - 3
	20 - 33	B74-F4652-09	22 - 33	B74-F580W-00	26 - 3	45P-F7114-00	29 - 8	B74-F836L-00	31 - 7	2DP-H2530-01	28 - 29
B65-F3123-00	20 - 41	B74-F465B-00	22 - 34	B74-F581J-00	28 - 42	4YY-F7114-00	29 - 16	B74-F836M-00	31 - 24	BB8-H254B-00	40 - 42
B74-F3126-00	20 - 2	B74-F465E-00	22 - 32	B74-F582U-00	24 - 1	B74-F7261-10	29 - 9	B74-F837-00-3E	32 - 42	B74-H2566-00	40 - 30
B74-F312H-00	19 - 9	B5X-F470F-00	22 - 3	B74-F582W-00	26 - 1	B74-F7311-00	29 - 11	B74-F8377-00-PC	32 - 42	1PA-H2576-00	40 - 41
B74-F3136-00	20 - 20	B5X-F470F-10	22 - 3	5TL-F5838-00	26 - 18	B74-F741L-00	29 - 19	B74-F837L-00	31 - 63	B74-H2590-13	40 - 13
B74-F3141-00	20 - 13	B74-F471D-00	22 - 37	1WD-F5852-00	28 - 4	B74-F742L-00	29 - 28	B74-F837M-00	31 - 65	B74-H2591-00	40 - 2
	20 - 31	B74-F4723-00	22 - 10		28 - 22	B74-F7430-00	29 - 17	B74-F837N-00	32 - 1	B74-H276E-10	40 - 33
5BP-F3144-00	20 - 9	B74-F4727-00	22 - 20	3C1-F5855-00	28 - 7	2DP-F7431-01	29 - 18	B74-F837U-00	32 - 57	B74-H3310-10	35 - 1
	20 - 27	B74-F472T-01	22 - 30		28 - 25	B74-F7437-00	29 - 24	B74-F8385-01	29 - 1	2CB-H3311-00	35 - 2
5BP-F3145-00	20 - 7	B5X-F4730-00	22 - 1	B74-F5867-00	28 - 6		29 - 33	B74-F838L-01	31 - 15		35 - 9
	20 - 25	B5X-F4730-10	22 - 1		28 - 24	B74-F7440-00	29 - 26	B74-F838N-00	29 - 4	B74-H3312-10	35 - 3
2JK-F3149-01	20 - 14	B74-F473R-00	22 - 6	B74-F5870-00	28 - 19	2DP-F7441-01	29 - 27	B74-F838V-01	31 - 33	B74-H3320-10	35 - 8
	20 - 32	B74-F4741-00	22 - 2	B74-F5870-10	28 - 1	B74-F7481-00	30 - 1	B74-F838W-00	31 - 52	B74-H3322-10	35 - 10
22W-F3156-L0	20 - 8	BX9-F474A-00-3E	17 - 4	B74-F5872-00	28 - 14	B74-F7483-00	30 - 31	BG6-F8391-00	32 - 65	1WD-H3371-00	41 - 9
	20 - 26	BX9-F474A-00-PC	17 - 4	B74-F5873-00	28 - 32	B74-F7484-00	30 - 32	BG6-F8392-00	32 - 66	B3F-H3383-00	40 - 43
2BU-F3158-00	20 - 11	B74-F474E-00	22 - 24	B74-F5874-00	28 - 35	B74-F7488-00	30 - 12	B74-F839L-01	31 - 9	B74-H3500-30	36 - 1
	20 - 29	BX9-F474W-00-3E	17 - 14	B74-F5875-00	28 - 38	B74-F7493-00	30 - 33	B74-F839V-01	31 - 26	B74-H3511-00	36 - 3
2CM-F3166-00	20 - 10	BX9-F474W-00-PB	17 - 14	B74-F5876-00	28 - 47	B74-F7494-00	30 - 34	B74-F839W-01	31 - 46	B74-H353L-00	36 - 2
	20 - 28	B74-F475M-00	22 - 7	B74-F587A-00	28 - 50	B74-F74A8-00-P0	31 - 44	B74-F842A-00	32 - 59	B74-H3572-00	36 - 4
B74-F3170-00	20 - 4	1S7-F4768-00	22 - 40	B74-F5886-00	28 - 17	B74-F8100-00	22 - 42	B74-F842M-00	31 - 61	54P-H3591-00	41 - 6
	20 - 22	B74-F4769-00	22 - 17	B74-F5887-00	28 - 40	B74-F8175-00	22 - 43	B74-F843C-00	32 - 60	B74-H3912-00	28 - 26
31B-F3181-00	20 - 12	B74-F476U-00	22 - 8	1WD-F5914-50	26 - 16	B74-F818A-00	31 - 12	B74-H1410-00	33 - 2	B74-H3922-00	28 - 8
	20 - 30	B74-F476V-00	22 - 9	5YP-F5917-00	24 - 8		31 - 30	B74-H1450-00	33 - 1	B74-H3963-00	39 - 1
B74-F3317-00	24 - 14	1DY-F4780-00	31 - 22		26 - 6		31 - 49	BX9-H1639-00	10 - 30	B74-H3973-10	39 - 3
B74-F3340-00	20 - 37		31 - 54	1WD-F5919-00	24 - 10	B74-F8306-00	32 - 22	B74-H1801-00	34 - 2	2DP-H3980-01	28 - 11
2JK-F3346-00	20 - 38	B65-F4780-00	22 - 28	B74-F5919-50	26 - 9	B74-F8311-00	31 - 5	B74-H1815-02	40 - 7	B74-H4140-00	35 - 5
5BP-F3416-10	19 - 2	B74-F4785-00	22 - 19	B74-F5921-50	26 - 12	B74-F8312-00-P0	31 - 59	1WD-H1828-00	34 - 4	B74-H4150-00	35 - 12
5BP-F3418-00	19 - 5										

NUMERICAL INDEX

PART NO.	REF. NO.	PART NO.	REF. NO.	PART NO.	REF. NO.	PART NO.	REF. NO.	PART NO.	REF. NO.	PART NO.	REF. NO.
B5X-H4300-00	37 - 1	90109-068B5	30 - 8	90179-06841	32 - 15	90201-19014	13 - 26	90430-06014	5 - 9	90480-01559	30 - 13
B74-H4547-00	38 - 19		30 - 19	90179-07001	2 - 4	90201-23015	13 - 24	90430-08119	10 - 23	90480-10289	32 - 7
B74-H454J-00	38 - 20		31 - 37	90179-10818	1 - 16	90201-23801	13 - 31	90430-10148	5 - 5		37 - 3
B74-H4550-00	16 - 25		31 - 58	90179-22025	19 - 7	90202-26142	19 - 4	90430-10806	41 - 7	90480-10332	9 - 8
B74-H4710-00	38 - 1		32 - 13	90179-25810	19 - 3	90269-06812	31 - 40	90450-52008	8 - 38	90480-13567	17 - 26
B74-H4723-00	35 - 4		38 - 5	90183-05807	16 - 5	90269-06816	6 - 38	90450-56009	8 - 12	90480-14023	32 - 36
	35 - 11		38 - 11		16 - 7		16 - 12	90464-04004	30 - 3		32 - 44
1WD-H4726-00	38 - 21	90109-068C5	16 - 8		16 - 11		22 - 16		30 - 14	90480-14229	32 - 8
B74-H4730-00	38 - 7	90109-068D5	40 - 35		16 - 15		22 - 31		35 - 7	90480-14818	6 - 18
B74-H4740-10	38 - 17	90109-08232	24 - 2		16 - 19		27 - 20		35 - 14	90480-15483	6 - 14
1WD-H4744-00	38 - 18	90110-06161	12 - 5		17 - 2		31 - 42	90464-06008	28 - 45	90501-12743	29 - 20
B74-H4748-00	38 - 23		33 - 4		17 - 12		31 - 60	90464-07018	32 - 51		29 - 29
B74-H4770-00	22 - 11	90110-06172	8 - 4		27 - 16		31 - 64	90464-07805	28 - 46	90506-32814	29 - 12
2FC-H5111-00	16 - 23		34 - 7		29 - 2		31 - 66	90464-09806	40 - 34	90506-40807	29 - 7
B74-H5112-00	42 - 5	90110-06178	33 - 3		30 - 6		32 - 4	90464-10008	21 - 22	90508-13800	31 - 13
3C1-H5130-00	38 - 15	90110-06182	4 - 13		30 - 17		32 - 56		40 - 25	90508-13801	31 - 31
B65-H5546-00	40 - 38	90110-06187	4 - 7		30 - 26	90269-07007	6 - 31	90464-10112	40 - 27	90508-14803	31 - 50
1SD-H5700-00	40 - 19	90110-06380	32 - 26		30 - 30	90269-08007	32 - 61	90464-10802	6 - 6	90520-04015	15 - 2
B74-H5752-00	21 - 9	90110-06405	4 - 5		31 - 6	90269-09005	30 - 7	90464-12018	40 - 26	90520-06808	31 - 10
B74-H5801-00	8 - 17	90110-06868	1 - 23		31 - 8		30 - 18		41 - 5		31 - 27
BG6-H591A-21	40 - 1	90111-05810	40 - 31		31 - 25	90280-05013	2 - 8	90464-13185	21 - 2	90520-10834	22 - 12
B74-H592A-10	41 - 4	90111-06807	9 - 7		31 - 45	90338-06809	22 - 13	90464-13801	31 - 35	90520-10835	11 - 13
B74-H5930-08	42 - 1	90111-06839	30 - 25		32 - 5	90338-07018	16 - 28	90464-14803	42 - 4	90520-10836	8 - 42
B74-H5970-01	42 - 2		30 - 29		32 - 16		31 - 47	90464-16003	40 - 29	90520-10837	11 - 11
B74-H5980-01	42 - 7		32 - 20		32 - 30	90338-14802	8 - 36	90464-16006	38 - 14	90520-20821	11 - 12
B5X-H6260-03	40 - 36	90111-08087	26 - 2		32 - 41	90340-12808	10 - 20	90464-24230	40 - 24	91312-05008	40 - 12
B5X-H6261-03	40 - 37	90119-06051	30 - 9		32 - 49	90340-18002	1 - 3	90464-30001	40 - 39	91312-05010	21 - 12
4C9-W0048-00	24 - 6		30 - 20		32 - 52	90340-32805	5 - 10	90464-36006	40 - 28		22 - 38
5YP-W0048-50	26 - 8		31 - 41		32 - 55	90387-06048	32 - 18	90464-36800	22 - 35	91312-05014	3 - 12
B74-WE445-00	8 - 23		32 - 2		37 - 5	90387-06158	32 - 37		40 - 23	91312-06016	42 - 6
90101-10830	29 - 13	90119-06268	32 - 10		38 - 4		32 - 45	90464-50800	22 - 41	91312-06025	4 - 20
90105-06057	28 - 48	90119-068A2	21 - 4		38 - 10	90387-064W3	6 - 15	90467-10038	6 - 5	91312-08030	19 - 8
90105-10883	2 - 6	90149-05018	40 - 8	90183-06818	27 - 15	90387-06899	37 - 4	90467-12052	10 - 11	91317-06030	27 - 5
90105-12805	15 - 10	90149-05029	23 - 9		31 - 16	90387-068N8	32 - 9	90467-12809	8 - 28	91402-25015	29 - 23
90105-12806	15 - 9		25 - 6		31 - 53	90387-08839	17 - 9		8 - 32		29 - 32
90105-12807	13 - 27	90149-06104	27 - 22		32 - 17		17 - 19	90467-13808	8 - 40	91702-08038	29 - 22
90109-06009	32 - 27	90149-10804	24 - 13	90185-14801	23 - 13	90387-09805	32 - 14	90467-14807	8 - 41		29 - 31
90109-06577	28 - 10	90154-05011	32 - 58	90185-16800	18 - 10	90387-09808	32 - 19	90467-20805	6 - 28	91810-14809	10 - 16
	28 - 28	90160-05808	27 - 19	90201-06033	6 - 16	90387-10849	29 - 15	90467-21801	6 - 29		10 - 28
90109-068B5	6 - 37		30 - 22	90201-06088	16 - 26	90387-15834	23 - 10	90467-22002	6 - 19		11 - 3
	16 - 16		30 - 24	90201-10118	28 - 16	90387-15835	23 - 4	90467-24800	6 - 20	92012-06010	27 - 7
	16 - 20		30 - 28		28 - 34	90387-17807	18 - 9	90467-250A1	6 - 34	92012-06020	22 - 36
	16 - 22		31 - 2		28 - 37	90388-08803	18 - 6	90467-26131	6 - 35	92017-05012	38 - 22
	17 - 7		32 - 3		28 - 44	90401-10812	28 - 15	90468-18121	22 - 21	92017-05016	27 - 8
	17 - 17	90167-05076	27 - 18	90201-10848	2 - 7		28 - 33	90480-01558	32 - 33	93102-25826	14 - 14
	17 - 25	90170-14802	13 - 28	90201-10849	1 - 17		28 - 36	90480-01559	17 - 3	93102-35805	10 - 14
	22 - 14	90179-05003	32 - 28	90201-15813	23 - 12		28 - 43		17 - 13	93102-35806	14 - 11
	29 - 3	90179-06055	16 - 3	90201-18262	10 - 5	90430-06014	1 - 5		30 - 2	93103-10801	5 - 14

NUMERICAL INDEX

PART NO.	REF. NO.	PART NO.	REF. NO.	PART NO.	REF. NO.	PART NO.	REF. NO.	PART NO.	REF. NO.	PART NO.	REF. NO.
93106-22808	23 - 2	95027-08035	9 - 5	95E32-06012	31 - 55	97702-50016	32 - 48				
93106-28801	18 - 3	95602-06100	16 - 27		32 - 21		36 - 6				
93106-28813	18 - 4		28 - 9		40 - 22		38 - 12				
93210-10096	7 - 6		28 - 27	95E32-06016	41 - 2		40 - 44				
93210-12801	4 - 2	95602-10200	29 - 14	95E32-06020	6 - 3	97702-50020	8 - 35				
93210-14816	10 - 25	95602-12200	15 - 11		7 - 9	97707-50012	31 - 11				
93210-18397	10 - 7	95607-10200	18 - 13	95E32-06060	7 - 2		31 - 19				
93210-198J0	5 - 7	95612-08620	1 - 6	95E32-08012	22 - 26		31 - 29				
93210-22800	6 - 40	95702-05500	38 - 16		41 - 10		31 - 36				
93210-32816	5 - 11	95702-06500	22 - 18	95E32-08055	19 - 13	97707-50025	8 - 25				
93210-40659	8 - 3	95702-08500	9 - 14	95E37-06025	28 - 13	97707-50035	8 - 26				
93210-48530	7 - 10	95707-05500	16 - 24		28 - 31	98502-06012	8 - 14				
93300-205Y0	14 - 13	95812-06025	8 - 11	95E37-06035	16 - 9	98507-05025	39 - 4				
93306-000Y3	5 - 13	95812-06030	8 - 37	97527-05512	31 - 57	98507-05040	39 - 2				
93306-002XM	4 - 3	95812-08016	10 - 22	97602-04212	28 - 12	99009-10400	5 - 15				
93306-078Y1	14 - 9		29 - 25		28 - 30	99009-18400	10 - 6				
93306-204XV	2 - 13		29 - 34	97702-30016	36 - 5	99009-28400	14 - 7				
93306-272YC	14 - 4	95812-08020	17 - 8	97702-40012	22 - 5	99009-40700	13 - 30				
93306-303YT	2 - 12		17 - 18	97702-40612	38 - 2	99009-47500	18 - 5				
	14 - 3	95812-08055	32 - 11		38 - 8	99009-52500	14 - 10				
93306-303YV	18 - 2	95817-08030	18 - 14	97702-50012	16 - 2	99530-08012	10 - 12				
93306-304YW	14 - 8	95817-10030	26 - 19		16 - 14	99530-14016	1 - 21				
93399-99932	20 - 39	95817-10060	18 - 7		16 - 18		1 - 22				
93399-999Y3	19 - 1	95D02-06012	28 - 49		17 - 6						
933A6-202Y1	23 - 3	95D02-06016	42 - 8		17 - 16						
93430-12831	29 - 10	95D02-06020	37 - 2		30 - 4						
93450-17129	2 - 17	95D02-06025	32 - 35		30 - 10						
93501-04830	29 - 21		32 - 43		30 - 15						
	29 - 30	95D07-06012	28 - 39		30 - 21						
93900-00828	23 - 6		28 - 41		31 - 3						
	25 - 3		28 - 51		31 - 48						
94112-15800	23 - 5	95D07-06016	42 - 3		31 - 62						
94114-14803	25 - 2	95D32-06025	6 - 17		32 - 32						
94568-F9058	7 - 3		40 - 6		32 - 38						
94568-H8110	4 - 10	95D37-06020	6 - 41		32 - 46						
94700-00436	1 - 19	95D37-10040	18 - 12		32 - 54						
95022-06012	1 - 4	95D37-10045	9 - 15		35 - 6						
	1 - 8	95E32-06012	6 - 23		35 - 13						
	4 - 9		6 - 25		38 - 6						
95022-06016	1 - 12		15 - 4		38 - 13						
95022-06025	1 - 15		15 - 6	97702-50016	17 - 5						
	11 - 4		19 - 10		17 - 15						
95022-06040	10 - 17		21 - 15		17 - 22						
95022-06060	10 - 18		22 - 29		27 - 14						
95022-06070	10 - 13		27 - 10		29 - 5						
95022-08040	10 - 29		28 - 18		31 - 43						
95027-06016	11 - 8		31 - 21		32 - 31						
95027-06020	5 - 8		31 - 23		32 - 40						